



Alfa Laval Heating insulation

Accessories gasketed plate-and-frame heat exchangers

Alfa Laval heating insulation is used to thermally insulate gasketed-plate-and-frame heat exchangers with operating temperatures up to 180°C (356°F). The insulation saves energy and provides protection against the heat of the plate pack. It also assures a dry and comfortable working climate in the operating room.

Applications

- Biotech and Pharmaceutical
- Chemicals
- Energy and Utilities
- Food and Beverages
- Home and Personal care
- HVAC and Refrigeration
- Machinery and Manufacturing
- Marine and Transportation
- Mining, Minerals and Pigments
- Pulp and Paper
- Semiconductor and Electronics
- Steel
- Water and Waste treatment

Benefits

- Saves energy
- Plate pack heat protection
- Easy to install

Design

Alfa Laval Heating insulation is available for most of the heat exchangers in the Industrial line and the Industrial semi-welded line. The heating insulation sections (panels) are designed to ensure simple assembly and disassembly. The panels are equipped with connecting spring locks in galvanized steel or fixed together using screws.

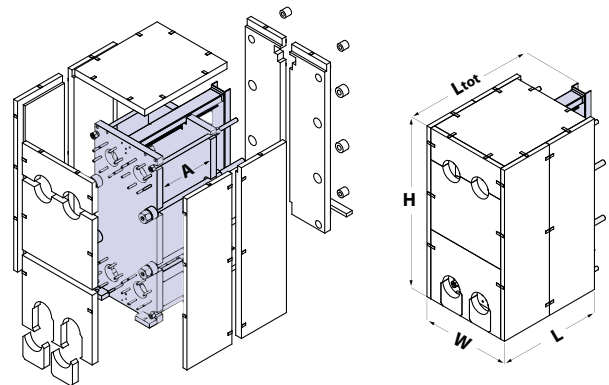


Approximate dimension

Measurements in mm (inch).

Product	L ¹	W	H
T2-FG ²	Length carrying bar + 130 (5.12)	260 (10.24)	380 (14.96)
M3-FG ²	Length tightening bolt + 175 (6.89)	260 (10.24)	520 (20.47)
TL3-FG ²	Length carrying bar +140 (5.51)	270 (10.63)	830 (32.68)
T5-FG ²	Length tightening bolt + 135 (5.31)	380 (14.96)	770 (30.31)
M6-FM M6-FG M6-FD	A + 225 (8.86)	450 (17.72)	925 (36.42)
TL6-FM TL6-FG TL6-FD	A + 360 (14.17)	490 (19.29)	1320 (51.97)
TS6-FG TS6-FD	A + 300 (11.81)	445 (17.52)	760 (29.92)
T8-FM T8-FG	A + 350 (13.78)	550 (21.65)	925 (36.42)
M10-FM M10-FG M10-FD	A + 490 (19.29)	600 (23.62)	1095 (43.11)
M10-FX	A +595 (23.42)	1190 (46.85)	1185 (46.65)
TL10-FM	A + 390 (15.35)	630 (24.80)	2000 (78.74)
TL10-FG TL10-FD	A + 420 (16.53)	630 (24.80)	2100 (82.68)
TL10-FS	A + 460 (18.11)	660 (25.98)	2100 (82.68)
M15-FM M15-FG M15-FD	A + 370 (14.57) A + 510 (20.08)	740 (29.13) 820 (32.28)	1975 (77.75) 1975 (77.75)
MK15-FG MK15-FD	A + 530 (20.87)	820 (32.28)	1550 (61.02)
MK15-FGR MK15-FDR	A + 530 (20.87)	820 (32.28)	1550 (61.02)
TL15-FM	A + 360 (14.17)	760 (29.92)	2775 (109.25)
TL15-FG TL15-FD TL15-FS	A + 530 (20.87)	820 (32.28)	2775 (109.25)
T20-FG	A + 460 (18.11)	920 (36.22)	2200 (86.61)
T20-FD T20-FS	A + 560 (22.05)	920 (36.22)	2235 (87.99)
TK20-FD	A + 520 (20.47)	925 (36.42)	1560 (61.42)
TK20-FX	A + 685 (26.97)	1070 (42.12)	1630 (64.17)
TS20-FM	A + 460 (18.11)	870 (34.25)	1430 (56.30)
TS20-FG TS20-FS	A + 460 (18.11) A + 600 (23.62)	930 (36.61) 960 (37.80)	1430 (56.30) 1525 (60.04)
MX25-FG MX25-FD MX25-FS	A + 580 (22.83)	1070 (45.13)	3050 (125.98)
MX25-FMS MX25-FGS	A + 490 (19.29)	1070 (45.13)	2670 (105.12)
TL35-FM TL35-FG	A + 615 (24.21)	1310 (51.57)	3190 (125.59)
TL35-FD TL35-FS	A + 710 (27.95)	1320 (51.97)	3210 (126.38)

- L = A + total insulation measure
- L = Ltot (the complete heat exchanger inside the insulation)



For actual heat exchanger measurements see PHE drawing
A = Plate pack length
C = Total length

Ltot = C + 0.5 insulation measure

Technical Data

Product	M6, TL6, TS6, T8, M10, TL10, M15, MK15, TL15, T20, TK20, TS20, MX25, TL35	T2, M3, TL3, T5
Cladding	Alu stucco sheet 1 mm (0.039 in)	Alu stucco sheet 1 mm (0.039 in)
Insulation	Mineral wool 65 mm (2.56 in)	Mineral wool 40 mm (1.57 in)
Inside layer	Aluminum folie 0.05 mm (0.002 in)	Aluminum folie 0.05 mm (0.002 in)
Panel fixation	Snap locks	Screws

Selection

To be able to make a quotation, please specify:

- Frame type
- A-measurement
- Tightening bolt length
- Type of connections
- Connection positions

How to contact Alfa Laval

Contact details for all countries are continually updated on our website. Please visit www.alfalaval.com to access the information direct.