



# Alfa Laval Base 10

## Gasketed plate-and-frame heat exchanger for hygienic applications

Alfa Laval BaseLine is a range of gasketed plate-and-frame heat exchangers used in dairy, food, beverage and other hygienic applications requiring thermally efficient performance. A large range of plate and gasket types is available.

### Applications

- Biotech and Pharmaceutical
- Food and Beverages
- Home and Personal care

### Benefits

- High energy efficiency – low operating cost
- Flexible configuration – heat transfer area can be modified
- Easy to install – compact design
- High serviceability – easy to open for inspection and cleaning and easy to clean by CIP
- Access to Alfa Laval's global service network

### Features

Every detail is carefully designed to ensure thermal efficiency, optimal performance and easy cleaning. Selection of available features:

- Corner guided alignment system
- Chocolate pattern distribution area
- Clip-on gasket
- Leak chamber
- Bearing box
- Fixed bolt head
- Key hole bolt opening
- Lock washer
- Adjustable feet



### Extending performance

#### with Alfa Laval 360° Service Portfolio

Our extensive services ensure top performance from your Alfa Laval equipment throughout its life cycle. The availability of parts and our team's commitment and expertise bring you peace of mind.

#### Start-up

- Installation
- Installation Supervision
- Commissioning

#### Maintenance

- Cleaning Services
- Reconditioning
- Repair
- Service Tools
- Spare Parts

#### Support

- Exclusive Stock
- Technical Documentation
- Telephone Support
- Training
- Troubleshooting

#### Improvements

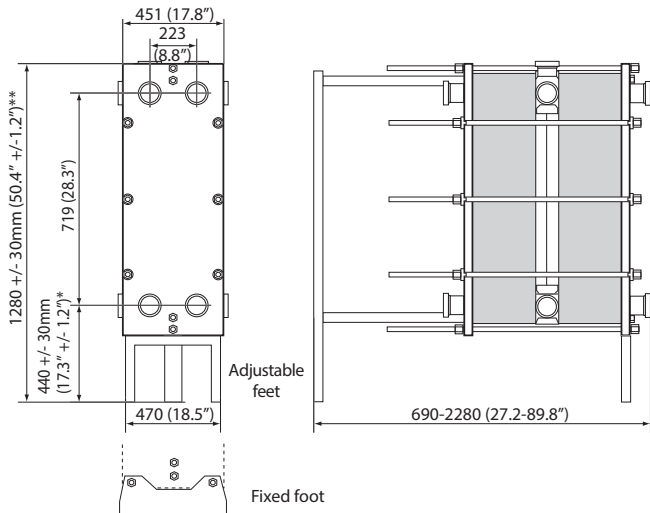
- Equipment Upgrades
- Redesign
- Replacement and Retrofit

#### Monitoring

- Condition Audit
- Performance Audit

## Dimensional drawing

Measurements mm (inches)



\* = with fixed feet 214

\*\* = with fixed feet 1054

## Technical data

### Plates

Name	Type	Free channel, mm (inches)
M10-B	Single plate	2.6 (0.10)
M10-M	Single plate	4.0 (0.16)

### Materials

Heat transfer plates	304/304L, 316/316L, 254 Ti
Field gaskets	NBR, EPDM, FKM
Connections	Acid proof stainless steel
Frame and pressure plate	Solid stainless steel, clad stainless steel or surface coated

The plate heat exchanger is manufactured according to 3A certification.

The gaskets are produced in compliance with the regulations of FDA.

Other materials may be available on request.

All option combinations may not be configurable.

## Operational data

Frame, PV-code	Max. design pressure (barg/psig)	Max. design temperature (°C/°F)
RM, pvcALS	10.0/145	160/320
RM, PED	10.0/145	160/320

Extended pressure and temperature rating may be available on request.

## Connections

DIN, SMS, Tri-CLAMP, BS/RJT and IDF/ISO male parts.

## How to contact Alfa Laval

Contact details for all countries are continually updated on our website. Please visit [www.alfalaval.com](http://www.alfalaval.com) to access the information direct.