

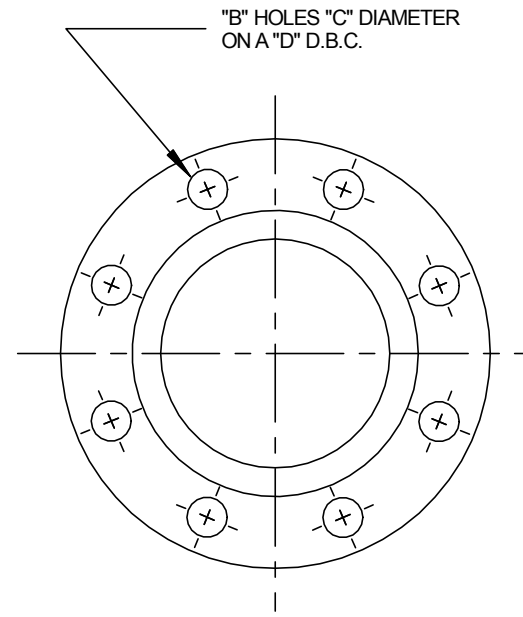
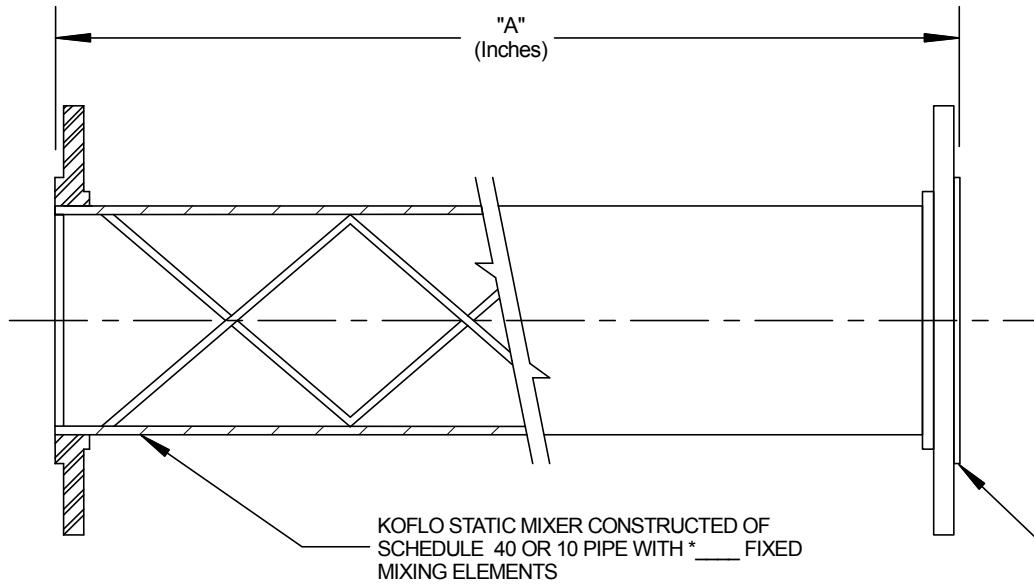


P&PE

PUMPS & PROCESS EQUIPMENT INC.

To Request a Quote,


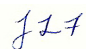
CALL US 1-847-882-8116



150 LB. RAISED FACE FLANGED ENDS

NOTE: SCH 40 IS USED FOR CARBON STEEL MIXERS
SCH 10 IS USED FOR SS/ALLOY MIXERS 3" AND LARGER

SIZE	"A"					"B"	"C"	"D"
	*NUMBER OF ELEMENTS							
	2	3	4	5	6			
1/2"	5	5	5	5	5	4	5/8"	2-3/8"
3/4"	6	6	6	7	7	4	5/8"	2-3/4"
1"	6	6	8	9	9	4	5/8"	3-1/8"
1-1/2"	7	7	9	11	13	4	5/8"	3-7/8"
2"	9	11	13	15	17	4	3/4"	4-3/4"
2-1/2"	10	13	15	18	20	4	3/4"	5-1/2"
3"	11	14	18	23	27	4	3/4"	6"
4"	14	19	24	29	36	8	3/4"	7-1/2"
6"	19	27	35	44	52	8	7/8"	9-1/2"
8"	24	35	46	57	68	8	7/8"	11-3/4"
10"	29	43	57	70	84	12	1"	14-1/4"
12"	36	52	68	84	102	12	1"	17"

		Koflo Corporation 309 CARY POINT DR. CARY, IL 60013	
		SCALE: NONE DATE: 9/11/85	APPROVED BY 
CUSTOMER:		REVISED 5/22/08	REVISED
MODEL NO: TYPICAL FLANGE MOUNTED MIXER		DRAWING NUMBER: KD-1018	