



**P&PE**

PUMPS & PROCESS EQUIPMENT INC.

To Request a Quote,

**CALL US 1-847-882-8116**

Roper Pumps

F

Series



F Series pumps give you 8 great ways to deliver under pressure

## Power Under Pressure



The leading force behind liquids.

### Applications

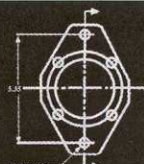
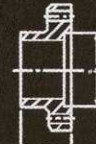
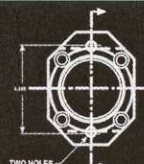
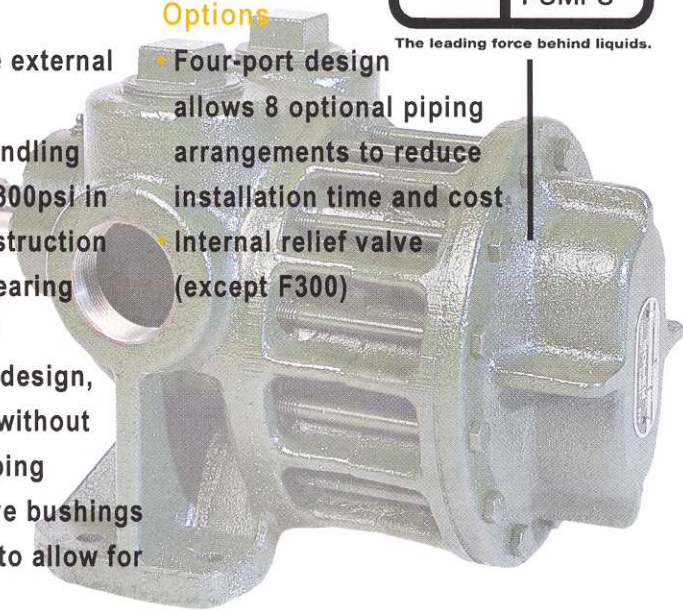
- Hydraulic power for positioning devices, lifts, machine actuation, fuel burners, and blenders
- General transfer applications for oil and petroleum fluids

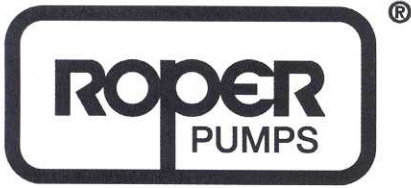
### Features

- High pressure external gear pump
- Capable of handling pressures to 300psi in standard construction
- 425psi with bearing modifications
- Front pullout design, maintenance without disturbing piping
- Flanged sleeve bushings with grooves to allow for lubrication

### Options

- Four-port design allows 8 optional piping arrangements to reduce installation time and cost
- Internal relief valve (except F300)





Roper Pump Company

P.O. Box 269 • Commerce, GA 30529  
 Toll Free: 1-800-876-9160 • Fax: 706-335-5490  
 sales@roperpumps.com

Visit Us On The WorldWide Web  
 www.roperpumps.com

## F Series

Model	Theoretical Capacity	Maximum Speed	Maximum Flow at Maximum Speed (0 Discharge Pressure)	Maximum Pressure	Port Connection
F1	.00086GPR(3.2CC/REV)	3600 RPM	3.1GPM (.70 M <sup>3</sup> /HR)	300 PSI (20 Bar)	1/2"NPT
F3	.002GPR(7.6 CC/REV)	3600 RPM	7.2GPM (1.6 M <sup>3</sup> /HR)	300 PSI (20 Bar)	1/2"NPT
F5	.003GPR(11.4 CC/REV)	3600 RPM	10.8GPM (2.5 M <sup>3</sup> /HR)	300 PSI (20 Bar)	1/2"NPT
F10	.007GPR(26.5 CC/REV)	3600 RPM	25.2GPM (5.7 M <sup>3</sup> /HR)	300 PSI (20 Bar)	3/4"NPT
F15	.0103GPR(39.0 CC/REV)	3600 RPM	37.1GPM (8.4 M <sup>3</sup> /HR)	300 PSI (20 Bar)	1-1/4"NPT
F20	.0124GPR(46.9 CC/REV)	3600 RPM	44.6GPM (10.1 M <sup>3</sup> /HR)	300 PSI (20 Bar)	1-1/4"NPT
F35	.034GPR(128.7 CC/REV)	1800 RPM	61.2GPM (13.9 M <sup>3</sup> /HR)	300 PSI (20 Bar)	1-1/2"NPT
F50	.050GPR(189.3 CC/REV)	1200 RPM	60.0GPM (13.6 M <sup>3</sup> /HR)	300 PSI (20 Bar)	2"NPT
F75	.075GPR(283.9 CC/REV)	1200 RPM	90.0GPM (20.5 M <sup>3</sup> /HR)	300 PSI (20 Bar)	2-1/2"NPT *
F100	.107GPR(405.0 CC/REV)	1200 RPM	128.4GPM (29.2 M <sup>3</sup> /HR)	300 PSI (20 Bar)	2-1/2"NPT *
F150	.186GPR(704.1 CC/REV)	1200 RPM	223.2GPM (50.7 M <sup>3</sup> /HR)	300 PSI (20 Bar)	3"FLG
F200	.232GPR(878.2 CC/REV)	900 RPM	208.8GPM (47.4 M <sup>3</sup> /HR)	300 PSI (20 Bar)	3"FLG
F300	.448GPR(1695.9 CC/REV)	900 RPM	403.2GPM (91.6 M <sup>3</sup> /HR)	300 PSI (20 Bar)	4"FLG

\* NPT standard, Flange available

## Materials of Construction

Housing	Gears	Bearings	Shaft	Seal O'Rings
---------	-------	----------	-------	--------------

• Cast Iron

• Steel

• Bronze

• Steel

• Buna

### Options

• Iron

• Viton®

Viton® and Teflon® are registered trademarks of E.I. duPont de Nemours Co. (Inc.)

• Teflon®

## Key Features

- Rugged housing
- Easy maintenance without disturbing piping
- Tight tolerance with efficiency in mind
- Pressure to 425 psi
- 8 piping arrangements
- Helical gears for quiet operation
- Standard outboard bearing protects against radial/thrust loads

