



P&PE

PUMPS & PROCESS EQUIPMENT INC.

To Request a Quote,

CALL US 1-847-882-8116

NDP-20 Specifications

Port Dimensions (31.7 GPM Max.)

Intake & discharge connection:

Polypropylene (PPG)	3/4" Female NPT
Aluminum (ADC-12)	3/4" Female NPT
Stainless Steel (316)	3/4" Female NPT
Air inlet (incl. ball valve):	1/4" Female NPT
Air exhaust (incl. silencer):	3/4" Female NPT

ANSI Flange also available — consult Yamada.

Maximum Liquid Temperature*

Diaphragm Material	Temperature
Neoprene	180°F (82°C)
Buna N	180°F (82°C)
EPDM	212°F (100°C)
Hytre [®] (TPC-ET)	248°F (120°C)
Santoprene [®] (TPE)	212°F (100°C)
Viton [®] fluoroelastomer	248°F (120°C)
Teflon [®] (PTFE)	212°F (100°C)

* The maximum liquid temperature for metal and Kynar[®]-fitted pumps is determined by the elastomer (diaphragm material). Polypropylene pumps have a maximum liquid temperature of 180°F (82°C) regardless of diaphragm material.

Air Supply Pressure (All Models)

20–100 PSI (1.4–7 kfg/cm)

Discharge Volume Per Cycle

Rubber diaphragm: 0.163 gallons (615 cc)
PTFE diaphragm: 0.143 gallons (539 cc)

Maximum Cycles Per Minute

Rubber diaphragm: 195
PTFE diaphragm: 195

Maximum Size Solid

1/16" (2.0 mm)

Maximum Dry Suction Lift

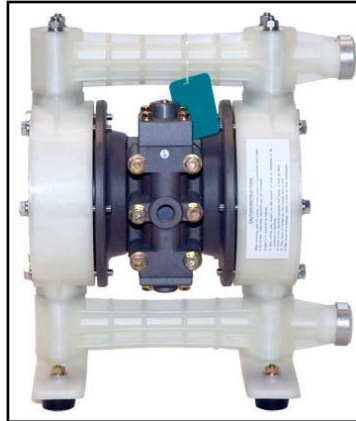
Rubber-fitted pump capability: 18-feet

Air Motors

Aluminum air motors are standard on metal pumps; glass-filled polypropylene air motors are standard on plastic pumps.

Optional air motors: Epoxy-coated, Teflon[®]-coated, Electroless Nickel Plate, aluminum and glass-filled polypropylene.

Notes: Hytre[®]-fitted pumps include Buna N check balls & wetted o-rings. Santoprene[®]-fitted pumps include EPDM check balls & wetted o-rings.



Aluminum (NPT)

Dimensions:
9.80" W × 12.60" H
Net Wt.: 19.8 lbs. (9.0 kg)
Shipping Wt.: 23 lbs.

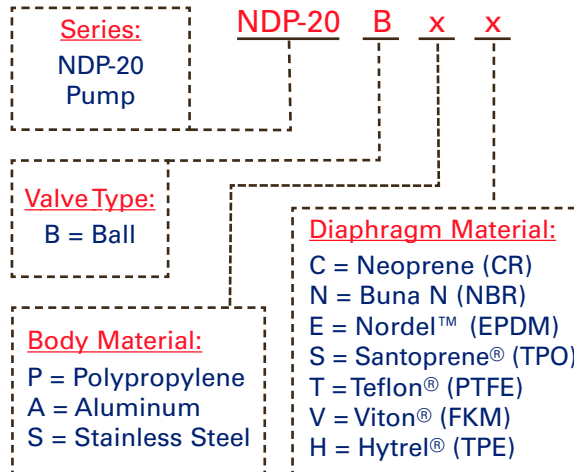
Polypropylene

ANSI Flange Dimensions:
12.44" W × 14.75" H
NPT Dimensions:
12.44" W × 14.50" H
Net Wt.: 17.6 lbs. (8.2 kg)
Shipping Wt.: 22.6 lbs.

Stainless Steel (NPT)

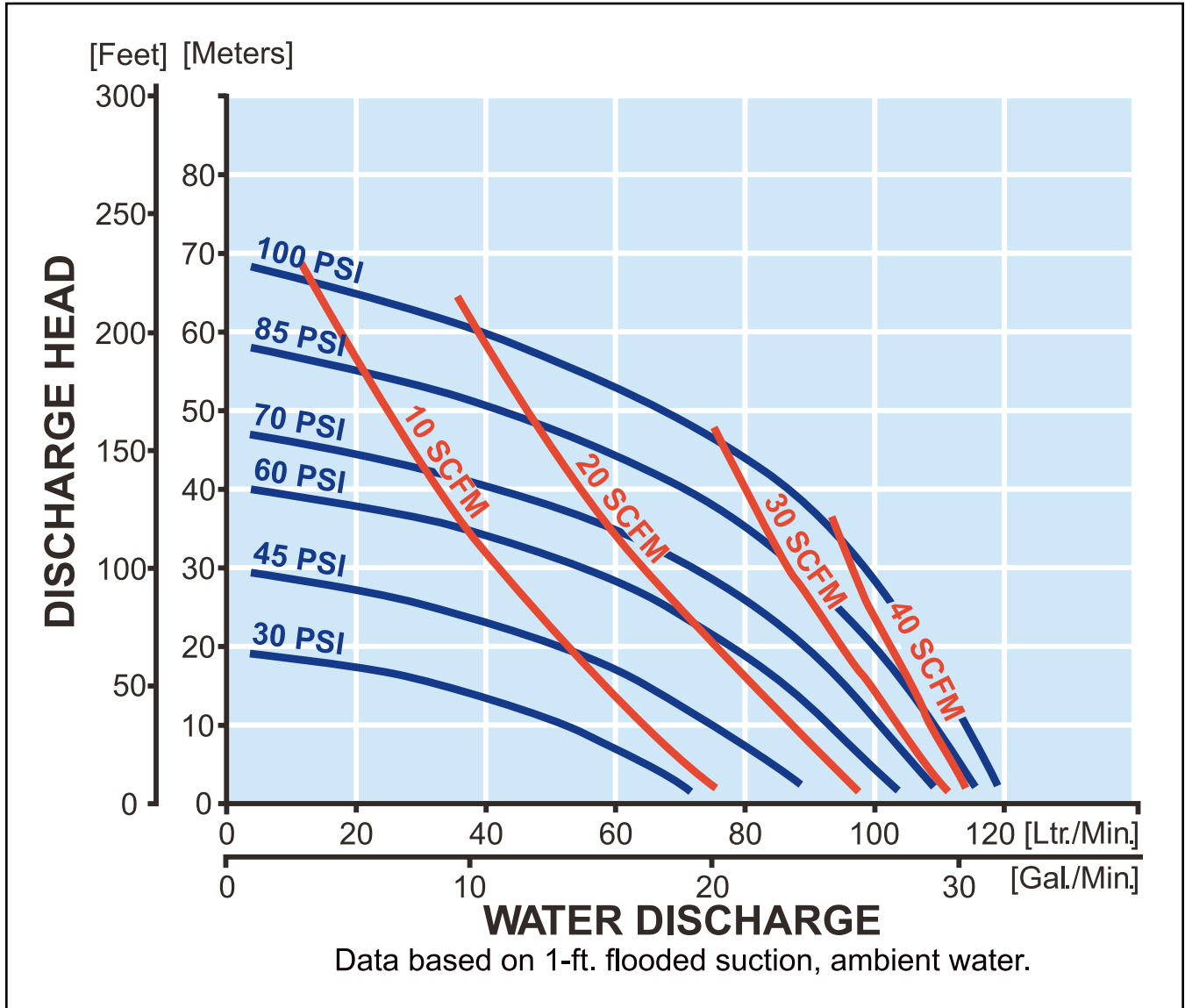
Dimensions:
9.80" W × 12.60" H
Net Wt.: 30.8 lbs. (13.9 kg)
Shipping Wt.: 32 lbs.

Model Number Nomenclature



NDP-20 Performance Curve — Rubber

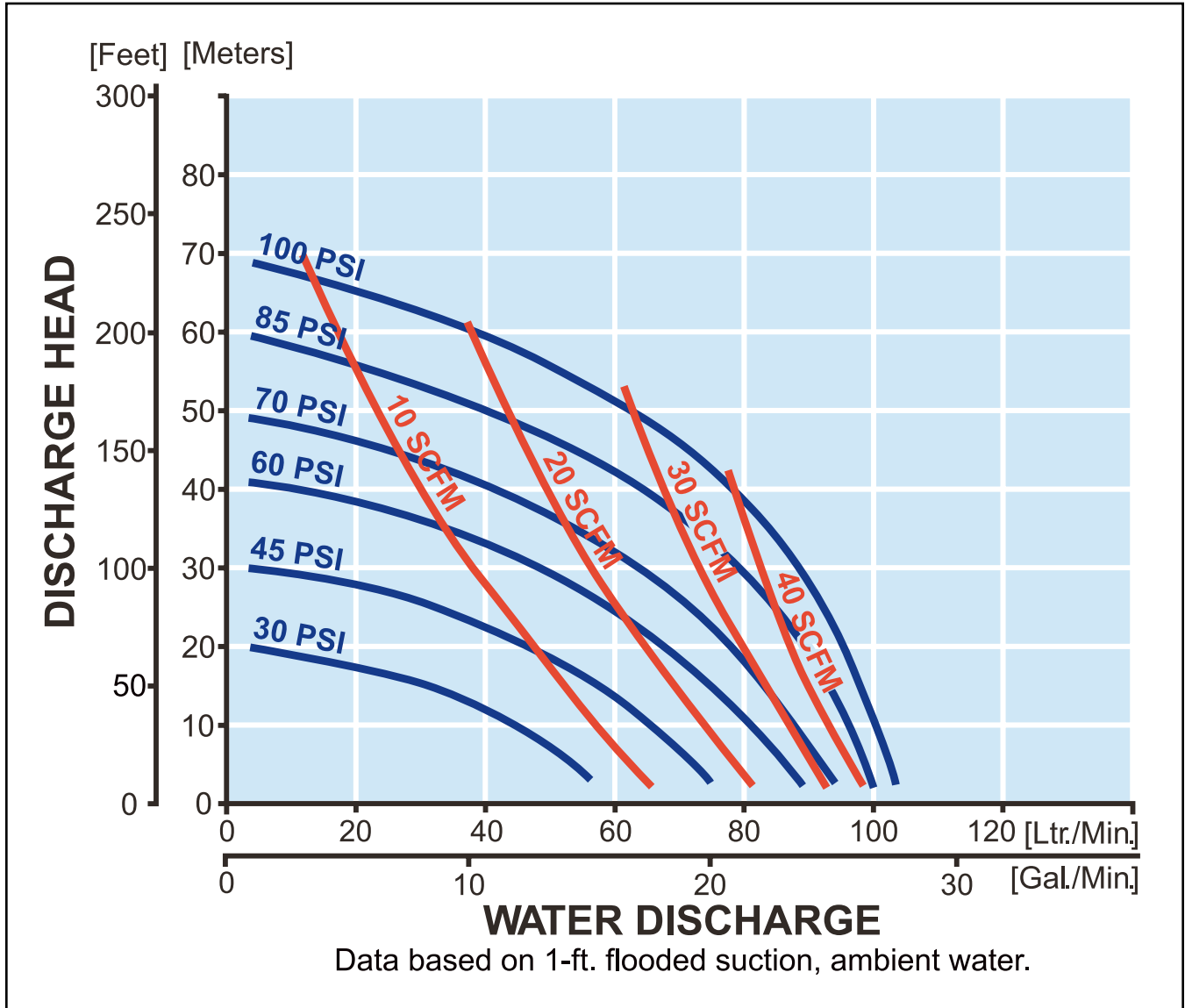
Rubber Diaphragm Performance Curve



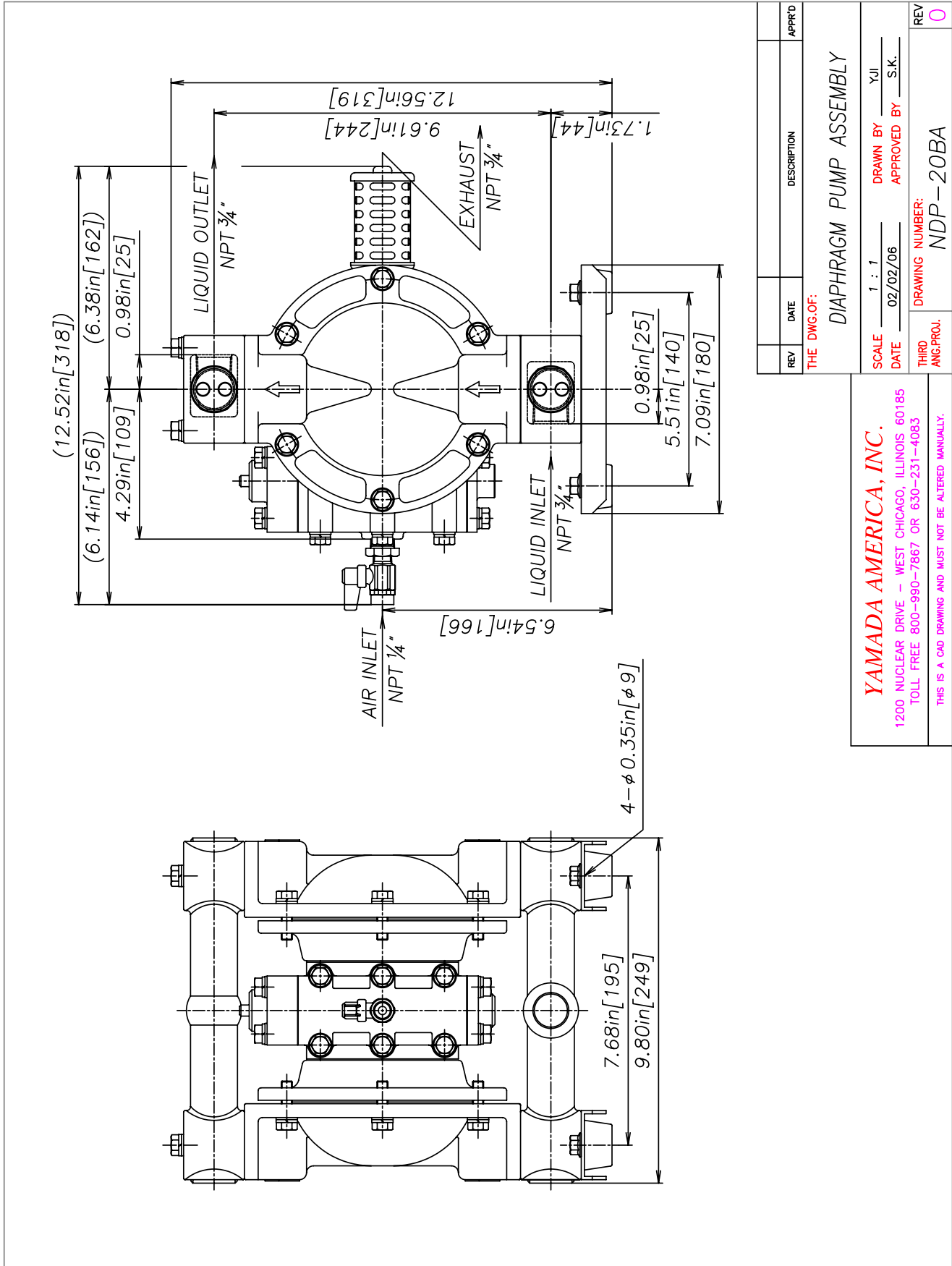
To calculate performance for Santoprene® and Hytrel®-fitted pumps, use Rubber Diaphragm Curve.

NDP-20 Performance Curve — PTFE

PTFE Diaphragm Performance Curve

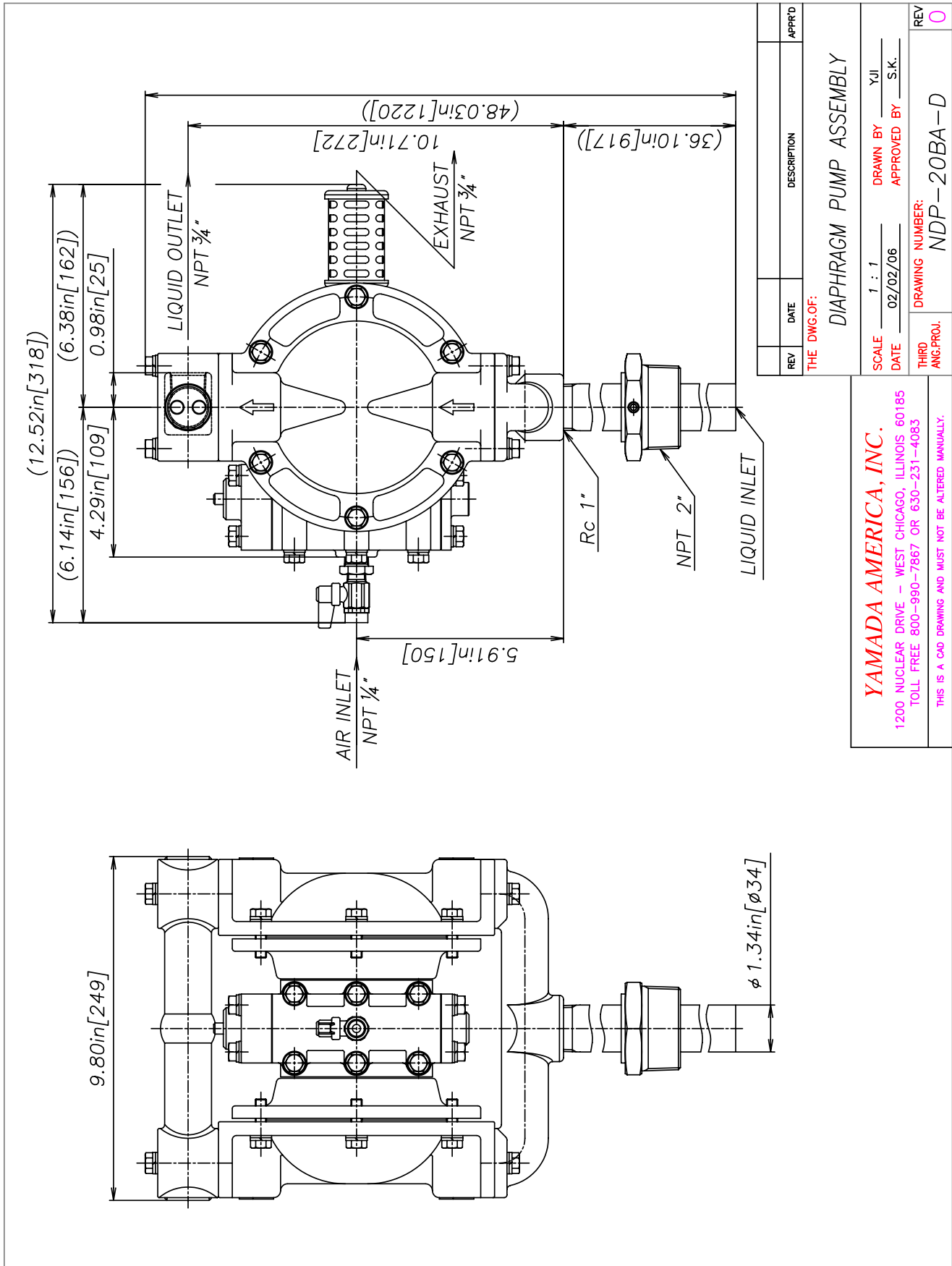


To calculate performance for Santoprene® and Hytrel®-fitted pumps, use Rubber Diaphragm Curve.



REV	DATE	DESCRIPTION	APPR'D
THE DWG. OF:			
DIAPHRAGM PUMP ASSEMBLY			
SCALE 1 : 1		DRAWN BY YJI	
DATE 02/02/06		APPROVED BY S.K.	
THIRD ANG. PROJ.	DRAWING NUMBER: NDP-20BA		REV 0

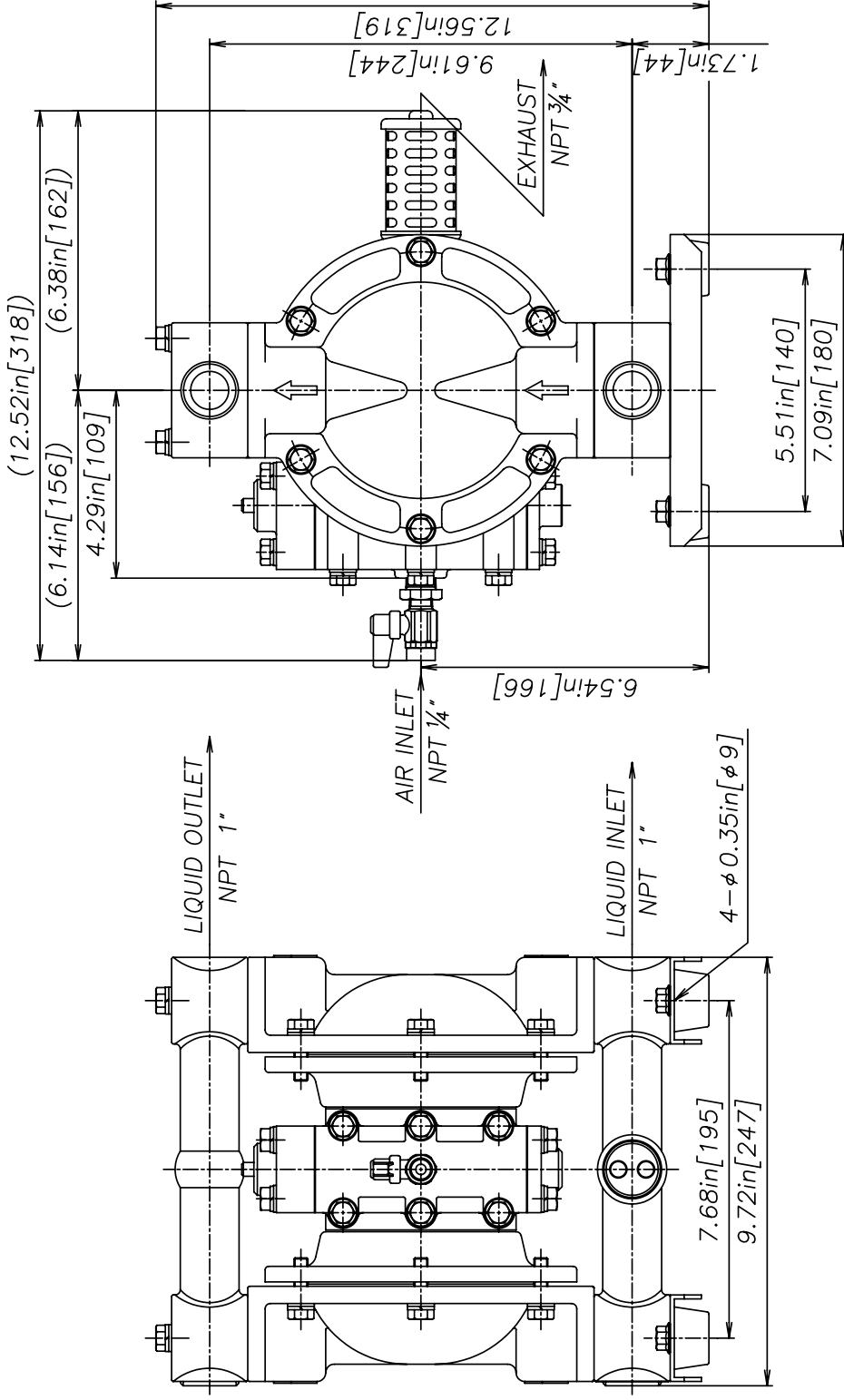
YAMADA AMERICA, INC.
 1200 NUCLEAR DRIVE - WEST CHICAGO, ILLINOIS 60185
 TOLL FREE 800-990-7867 OR 630-231-4083
 THIS IS A CAD DRAWING AND MUST NOT BE ALTERED MANUALLY.



REV	DATE	DESCRIPTION	APPR'D
THE DWG.OF:			
DIAPHRAGM PUMP ASSEMBLY			

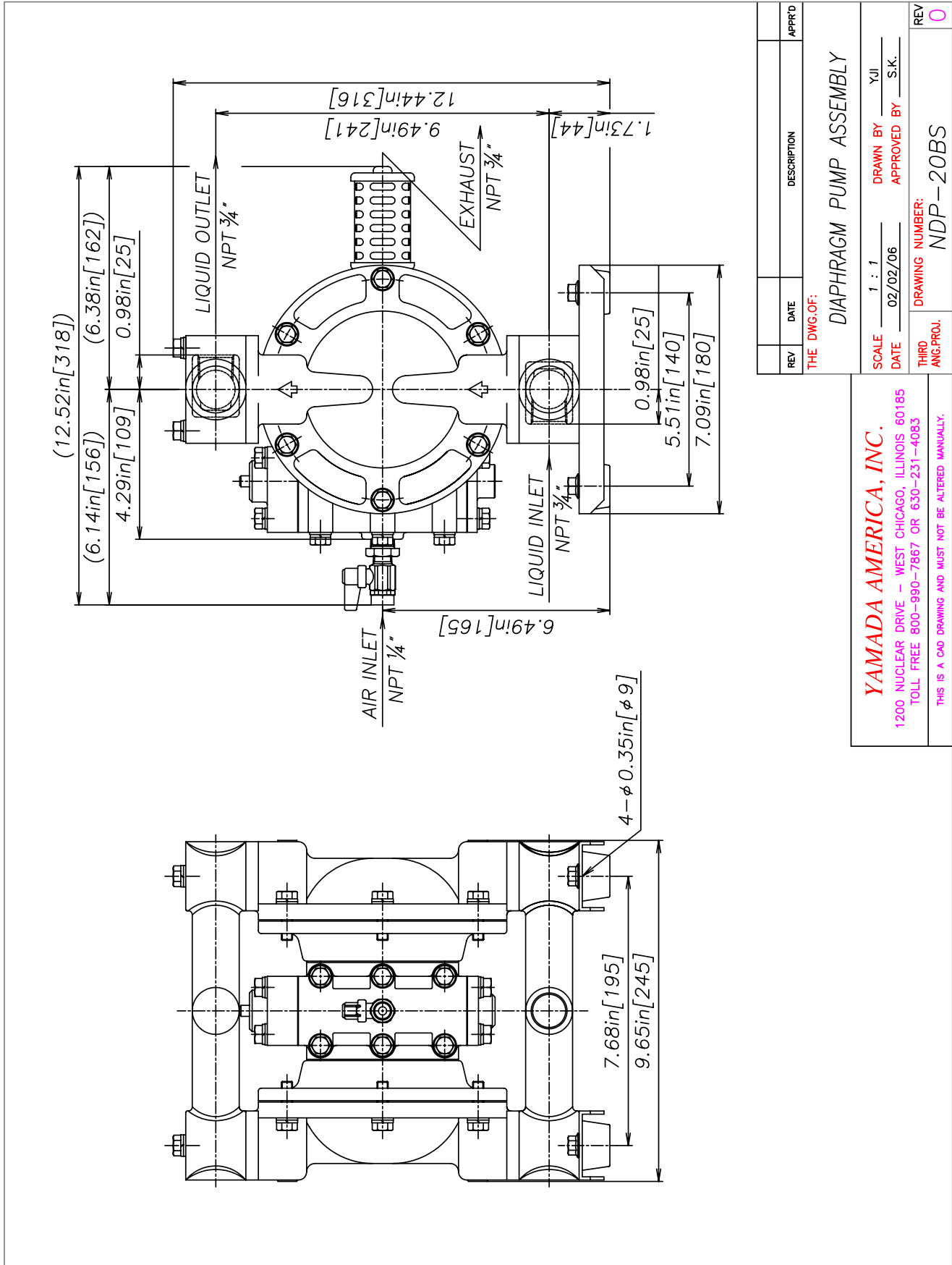
SCALE	1 : 1	DRAWN BY	YJL
DATE	02/02/06	APPROVED BY	S.K.
THIRD ANG.PROJ.		DRAWING NUMBER:	NDP-20BA-D
REV			0

YAMADA AMERICA, INC.
 1200 NUCLEAR DRIVE - WEST CHICAGO, ILLINOIS 60185
 TOLL FREE 800-990-7867 OR 630-231-4083
 THIS IS A CAD DRAWING AND MUST NOT BE ALTERED MANUALLY.



REV	DATE	DESCRIPTION	APPR'D
THE DWG.OF:			
DIAPHRAGM PUMP ASSEMBLY			
SCALE 1 : 1		DRAWN BY YJL	
DATE 02/02/06		APPROVED BY S.K.	
THIRD ANG.PROJ.	DRAWING NUMBER: NDP-20BA-1S		REV 0

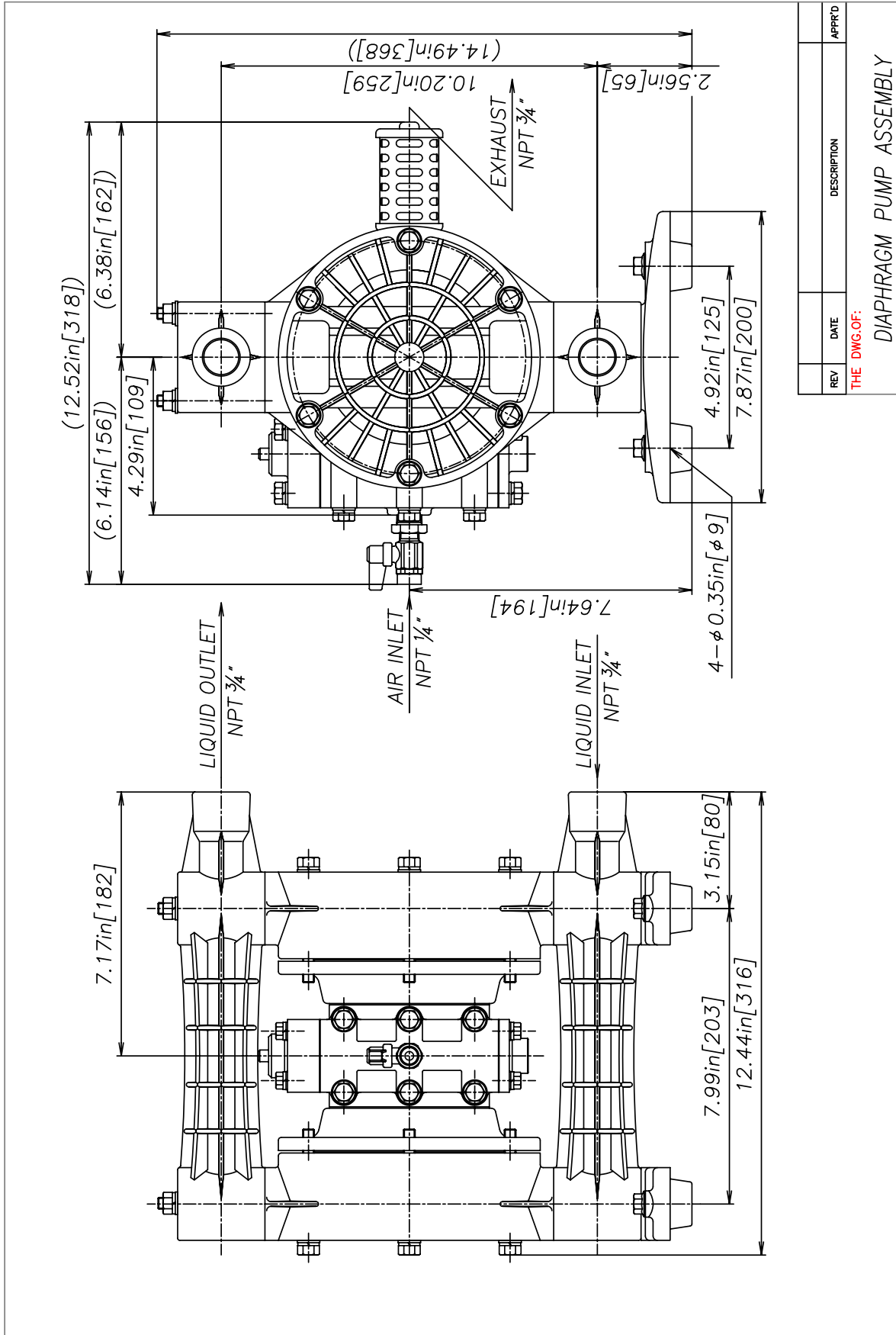
YAMADA AMERICA, INC.
 1200 NUCLEAR DRIVE - WEST CHICAGO, ILLINOIS 60185
 TOLL FREE 800-990-7867 OR 630-231-4083
 THIS IS A CAD DRAWING AND MUST NOT BE ALTERED MANUALLY.



REV	DATE	DESCRIPTION	APPR'D
THE DWG. OF:			
DIAPHRAGM PUMP ASSEMBLY			
SCALE	1 : 1	DRAWN BY	YJI
DATE	02/02/06	APPROVED BY	S.K.
THIRD ANG. PROJ.		DRAWING NUMBER:	NDP-20BS
REV			0

YAMADA AMERICA, INC.
 1200 NUCLEAR DRIVE - WEST CHICAGO, ILLINOIS 60185
 TOLL FREE 800-990-7867 OR 630-231-4083
 THIS IS A CAD DRAWING AND MUST NOT BE ALTERED MANUALLY.

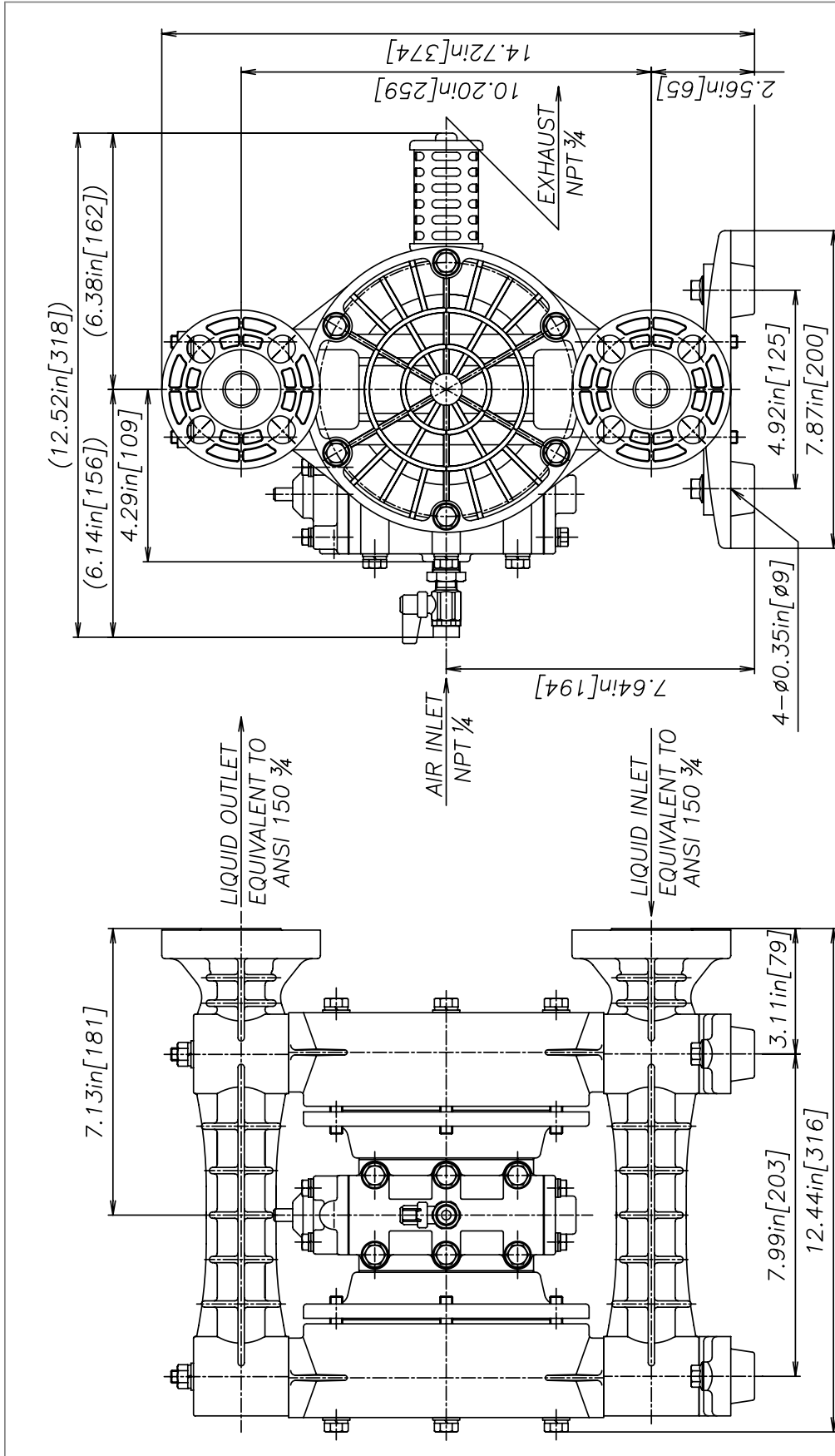




REV	DATE	DESCRIPTION	APPR'D
THE DWG. OF: DIAPHRAGM PUMP ASSEMBLY			
SCALE 1 : 1		DRAWN BY YJL	
DATE 02/02/06		APPROVED BY S.K.	
THIRD ANG. PROJ.	DRAWING NUMBER: NDP-20BP NPT		REV 0

YAMADA AMERICA, INC.
 1200 NUCLEAR DRIVE - WEST CHICAGO, ILLINOIS 60185
 TOLL FREE 800-990-7867 OR 630-231-4083
 THIS IS A CAD DRAWING AND MUST NOT BE ALTERED MANUALLY.





REV	DATE	DESCRIPTION	APPR'D
THE DWG. OF:			
DIAPHRAGM PUMP ASSEMBLY			
SCALE 1 : 1		DRAWN BY YJL	
DATE 02/02/06		APPROVED BY S.K.	
THIRD ANG. PROJ.		DRAWING NUMBER: NDP-20BP FLANGE	
REV		0	

YAMADA AMERICA, INC.
 1200 NUCLEAR DRIVE - WEST CHICAGO, ILLINOIS 60185
 TOLL FREE 800-990-7867 OR 630-231-4083
 THIS IS A CAD DRAWING AND MUST NOT BE ALTERED MANUALLY.



AutoCAD® is a registered trademark of Autodesk, Inc.

Hytrel® is a registered trademark of E.I. du Pont de Nemours and Company.

Kynar® is a registered trademark of Arkema.

Nordel™ is a trademark of DuPont Dow Elastomers.

Ryton® is a registered trademark of Chevron Phillips Chemical Company.

Santoprene® is a registered trademark of Advanced Elastomer Systems.

Swagelok® & VCR® are trademarks of the Swagelok Companies.

Teflon® is a registered trademark of E.I. du Pont de Nemours and Company.

Viton® is a registered trademark of DuPont Performance Elastomers.

Due to Yamada's continued commitment to product improvement, specifications may change without notice.

