



**P&PE**  
PUMPS & PROCESS EQUIPMENT INC.

To Request a Quote,  
**CALL US 1-847-882-8116**

# NDP-5 Specifications

## Port Dimensions (3.1 GPM Max.)

Intake & discharge	1/4" Female NPT
Air inlet (incl. ball valve):	1/4" Female NPT
Air exhaust (internal silencer):	3/8" Female NPT

## Maximum Liquid Temperature

Fitted with Teflon® (PTFE) diaphragm

Pump Material	Temperature
Polypropylene (PPG)	180°F (82°C)
Kynar® (PVDF)	212°F (100°C)
Groundable Acetal	180°F (82°C)
Aluminum (ADC-12)	212°F (100°C)
Stainless Steel (316)	212°F (100°C)

## Air Supply Pressure (All Models)

20–100 PSI (1.4–7 kfg/cm)

## Discharge Volume Per Cycle

0.0078 gallons (29 cc)

**Maximum Cycles Per Minute:** 400

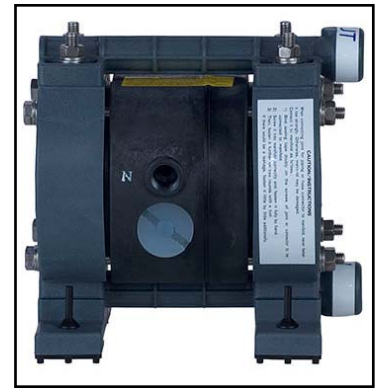
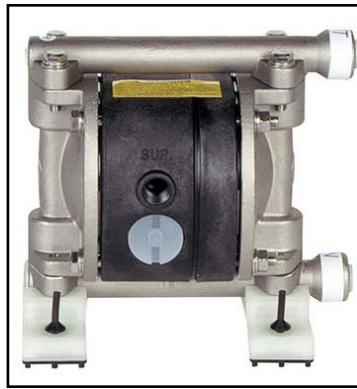
**Maximum Dry Suction Lift:** 5-feet

## Pump Air Motor

Ryton® air motor standard

## Model Number Nomenclature

Polypropylene (PPG)	NDP-5FPT
Kynar® (PVDF)	NDP-5FVT
Groundable Acetal	NDP-5FDT
Aluminum (ADC-12)	NDP-5FAT
Stainless Steel (316)	NDP-5FST



### Aluminum

**Dimensions:** 6.1" W x 5.87" H

**Net Wt.:** 3.3 lbs. (1.5 kg)

**Shipping Wt.:** 4.3 lbs.

### Stainless Steel

**Dimensions:** 6.1" W x 5.87" H

**Net Wt.:** 5.9 lbs. (2.68 kg)

**Shipping Wt.:** 6.9 lbs.

### Kynar® (PVDF)

**Dimensions:** 6.14" W x 5.79" H

**Net Wt.:** 3.7 lbs. (1.67 kg)

**Shipping Wt.:** 4.7 lbs.

### Groundable Acetal

**Dimensions:** 6.14" W x 5.79" H

**Net Wt.:** 3.7 lbs. (1.67 kg)

**Shipping Wt.:** 4.7 lbs.

### Polypropylene

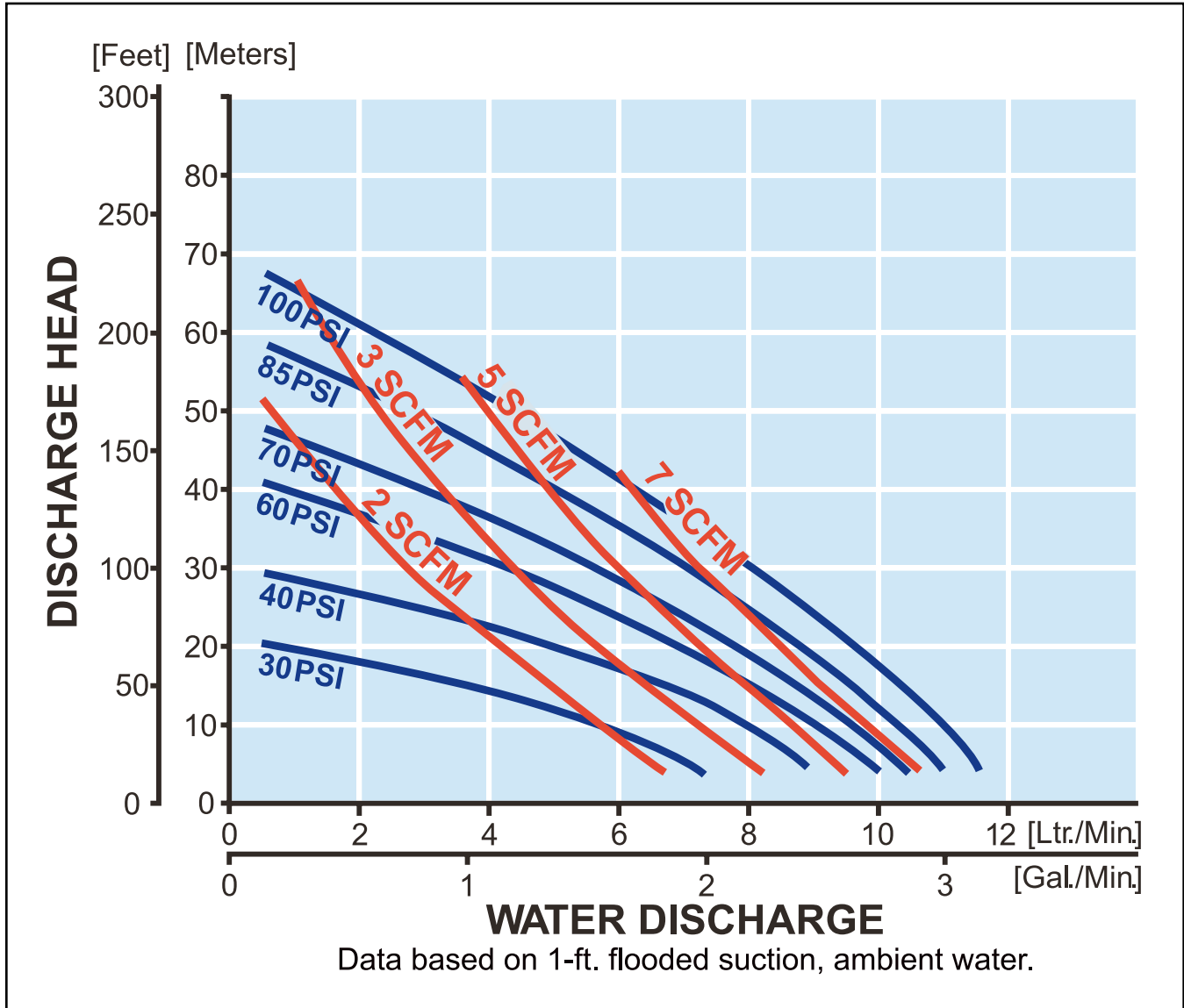
**Dimensions:** 6.14" W x 5.79" H

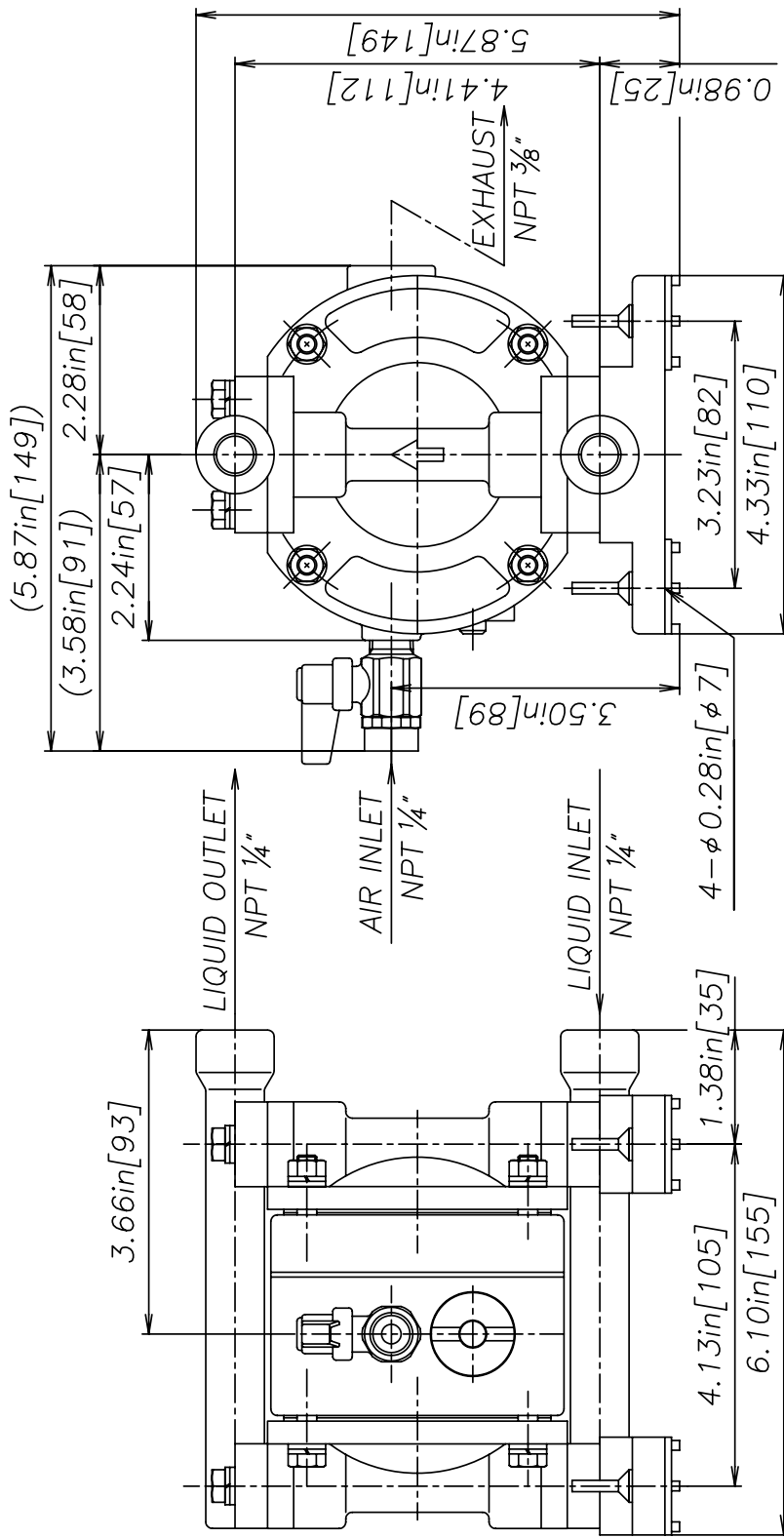
**Net Wt.:** 3.0 lbs. (1.36 kg)

**Shipping Wt.:** 4 lbs.

# NDP-5 Performance Curve

All Diaphragm Materials

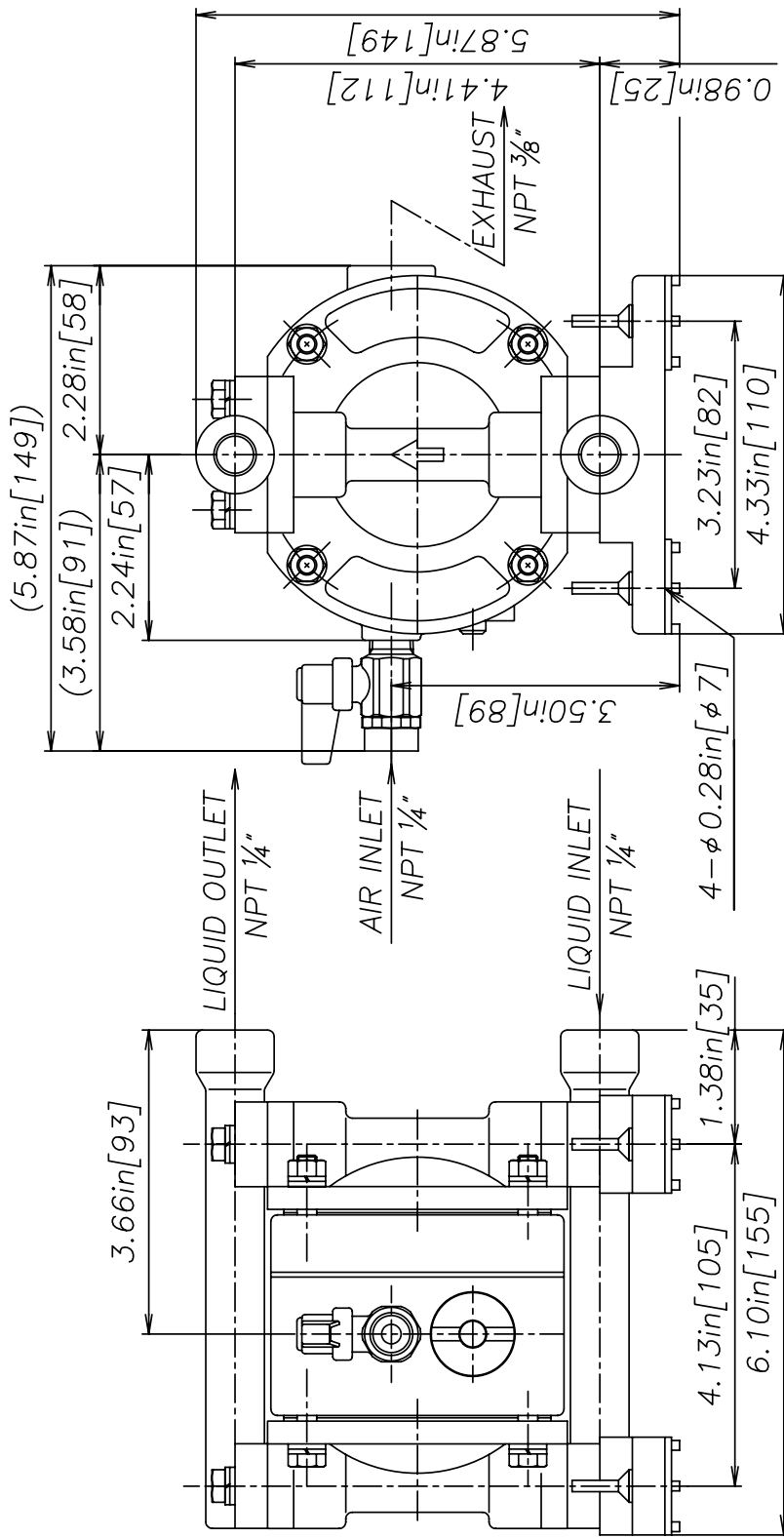




REV	DATE	DESCRIPTION	APPR'D
THE DWG.OF:			
DIAPHRAGM PUMP ASSEMBLY			

SCALE	1 : 1	DRAWN BY	YJL
DATE	02/08/06	APPROVED BY	S.K.
THIRD ANG.PROJ.		DRAWING NUMBER:	NDP-5FA
REV	0		

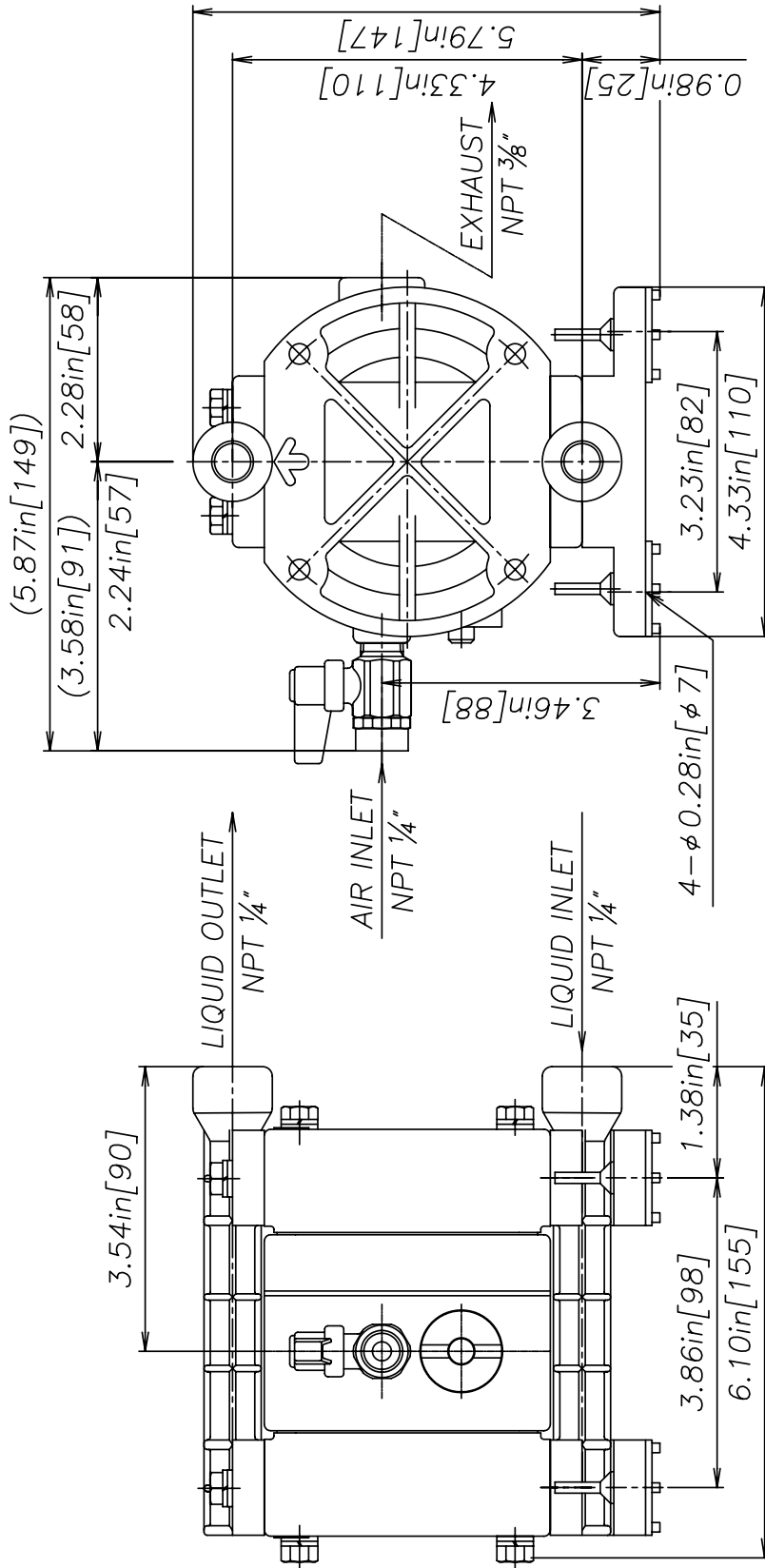
**YAMADA AMERICA, INC.**  
 1200 NUCLEAR DRIVE - WEST CHICAGO, ILLINOIS 60185  
 TOLL FREE 800-990-7867 OR 630-231-4083  
 THIS IS A CAD DRAWING AND MUST NOT BE ALTERED MANUALLY.



REV	DATE	DESCRIPTION	APPR'D
THE DWG.OF:			
DIAPHRAGM PUMP ASSEMBLY			
SCALE 1 : 1		DRAWN BY YJJ	
DATE 02/08/06		APPROVED BY S.K.	
THIRD ANG.PROJ.	DRAWING NUMBER: NDP-5FS		REV 0

**YAMADA AMERICA, INC.**  
 1200 NUCLEAR DRIVE - WEST CHICAGO, ILLINOIS 60185  
 TOLL FREE 800-990-7867 OR 630-231-4083  
 THIS IS A CAD DRAWING AND MUST NOT BE ALTERED MANUALLY.



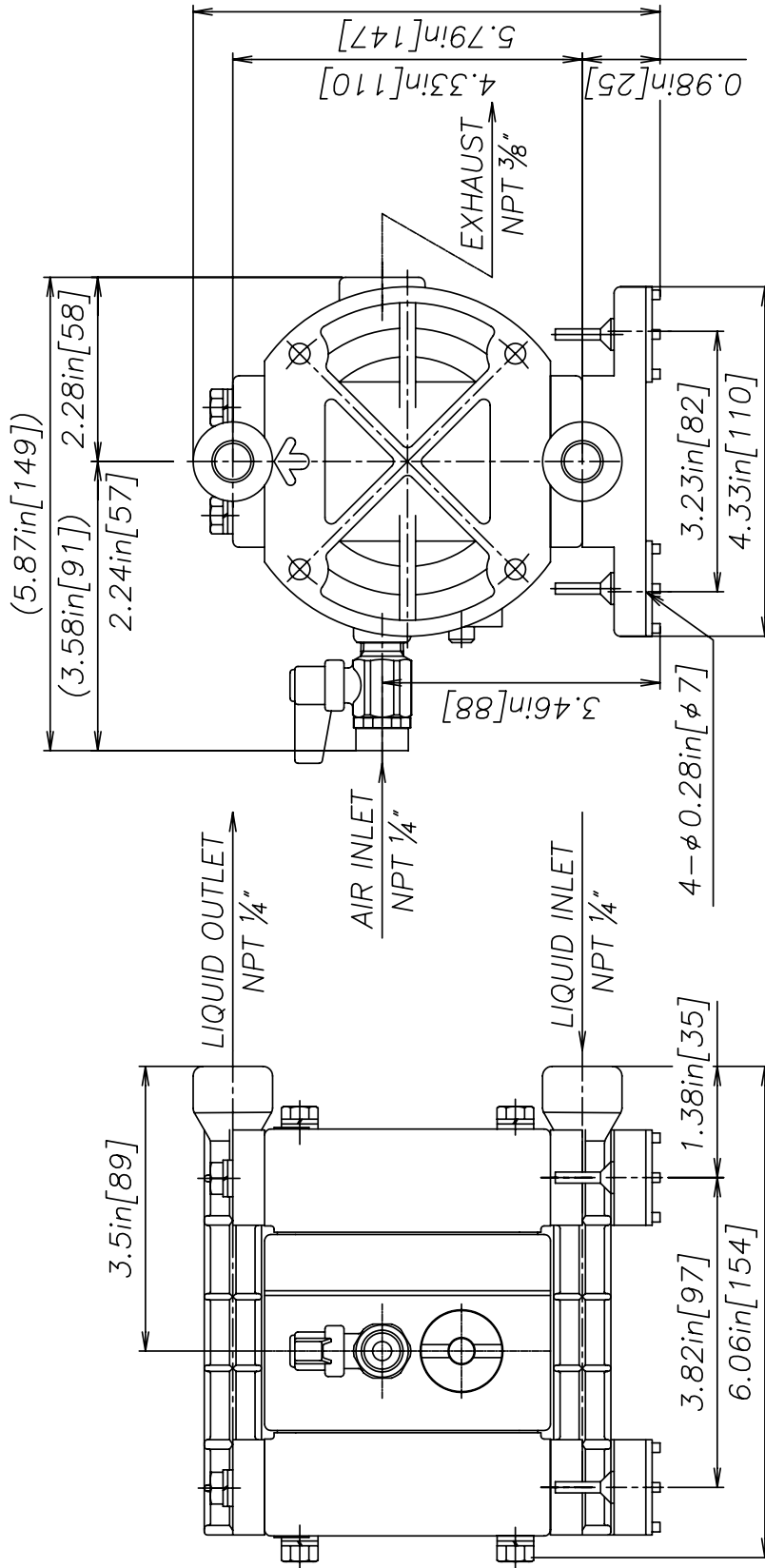


REV	DATE	DESCRIPTION	APPR'D
THE DWG.OF:			
<b>DIAPHRAGM PUMP ASSEMBLY</b>			

SCALE	1 : 1	DRAWN BY	Y.JI
DATE	02/10/06	APPROVED BY	S.K.
THIRD ANG.PROJ.		DRAWING NUMBER:	NDP-5FP/FD
REV			0

**YAMADA AMERICA, INC.**  
 1200 NUCLEAR DRIVE - WEST CHICAGO, ILLINOIS 60185  
 TOLL FREE 800-990-7867 OR 630-231-4083  
 THIS IS A CAD DRAWING AND MUST NOT BE ALTERED MANUALLY.





REV	DATE	DESCRIPTION	APPR'D
THE DWG.OF:			
<b>DIAPHRAGM PUMP ASSEMBLY</b>			
SCALE	1 : 1	DRAWN BY	Y.JT
DATE	02/10/06	APPROVED BY	S.K.
THIRD ANG.PROJ.	DRAWING NUMBER:		NDP-5FV
REV			0

**YAMADA AMERICA, INC.**  
 1200 NUCLEAR DRIVE - WEST CHICAGO, ILLINOIS 60185  
 TOLL FREE 800-990-7867 OR 630-231-4083  
 THIS IS A CAD DRAWING AND MUST NOT BE ALTERED MANUALLY.

AutoCAD® is a registered trademark of Autodesk, Inc.

Hytrel® is a registered trademark of E.I. du Pont de Nemours and Company.

Kynar® is a registered trademark of Arkema.

Nordel™ is a trademark of DuPont Dow Elastomers.

Ryton® is a registered trademark of Chevron Phillips Chemical Company.

Santoprene® is a registered trademark of Advanced Elastomer Systems.

Swagelok® & VCR® are trademarks of the Swagelok Companies.

Teflon® is a registered trademark of E.I. du Pont de Nemours and Company.

Viton® is a registered trademark of DuPont Performance Elastomers.

Due to Yamada's continued commitment to product improvement, specifications may change without notice.

