



P&PE

PUMPS & PROCESS EQUIPMENT INC.

To Request a Quote,

CALL US 1-847-882-8116

DP Series Specifications

DP-10 Port Dimensions (6 GPM Max.)

Intake & discharge connection:

Polypropylene (PPG)	3/8" Female NPT
Aluminum (ADC-12)	3/8" Female NPT
Stainless Steel (316)	3/8" Female NPT

DP-15 Port Dimensions (7.4 GPM Max.)

Intake & discharge connection:

Polypropylene (PPG)	1/2" Female NPT
Groundable Acetal	1/2" Female NPT

Air Inlet/Exhaust

Air inlet (incl. ball valve):	1/4" Female NPT
Air exhaust (incl. silencer):	3/8" Female NPT

Maximum Liquid Temperature*

Diaphragm Material	Temperature
Neoprene	180°F (82°C)
Buna N	180°F (82°C)
Hytrel® (TPC-ET)	248°F (120°C)
Santoprene® (TPE)	212°F (100°C)
Viton® fluoroelastomer	248°F (120°C)
Teflon® (PTFE)	212°F (100°C)

*The maximum liquid temperature for metal and Kynar®-fitted pumps is determined by the elastomer (diaphragm material). Polypropylene and Groundable Acetal pumps have a maximum liquid temperature of 180°F (82°C) regardless of diaphragm material.

Air Supply Pressure (All Models)

20–100 PSI (1.4–7 kfg/cm)

Discharge Volume Per Cycle

DP-10: 0.020 gallons (76 cc)

DP-15: 0.025 gallons (93 cc)

Maximum Cycles Per Minute

All diaphragms: 300

Maximum Size Solid

1/32" (1 mm)

Maximum Dry Suction Lift

All diaphragms: 10-feet

Aluminum Air Motor–Standard

Optional: Epoxy-coated, Teflon®-coated, or Electroless Nickel Plate

Notes: Hytrel®-fitted pumps include Buna N check balls & wetted o-rings. Santoprene®-fitted pumps include EPDM check balls & wetted o-rings.



DP-10

Aluminum

Dimensions: 7.32" W x 9.49" H

Net Wt.: 7.9 lbs. (3.6 kg)

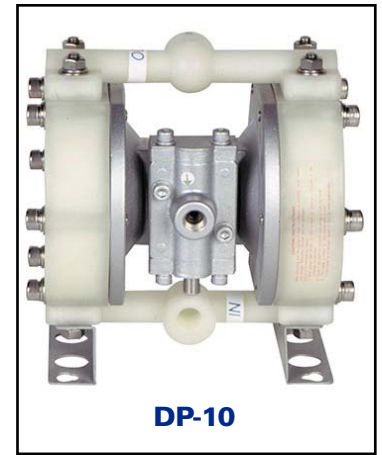
Shipping Wt.: 9.9 lbs.

Stainless Steel

Dimensions: 7.32" W x 9.49" H

Net Wt.: 11.7 lbs. (5.3 kg)

Shipping Wt.: 13.7 lbs.



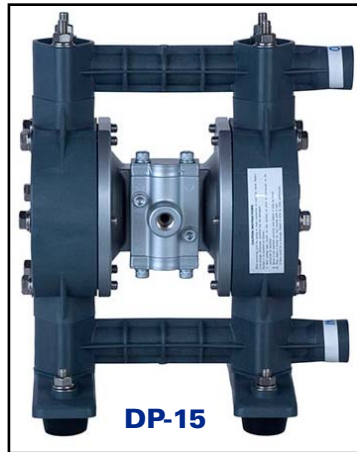
DP-10

Polypropylene

Dimensions: 7.72" W x 7.72" H

Net Wt.: 6.8 lbs. (3.1 kg)

Shipping Wt.: 8.8 lbs.



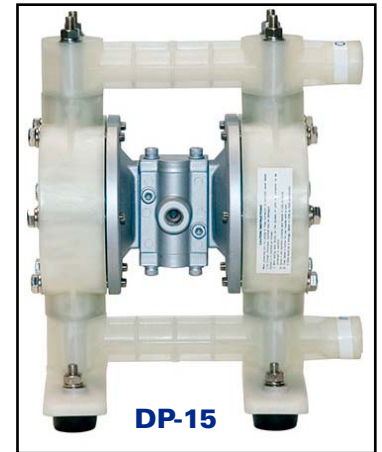
DP-15

Groundable Acetal

Dimensions: 9.68" W x 11.69" H

Net Wt.: 9 lbs. (4 kg)

Shipping Wt.: 12 lbs.



DP-15

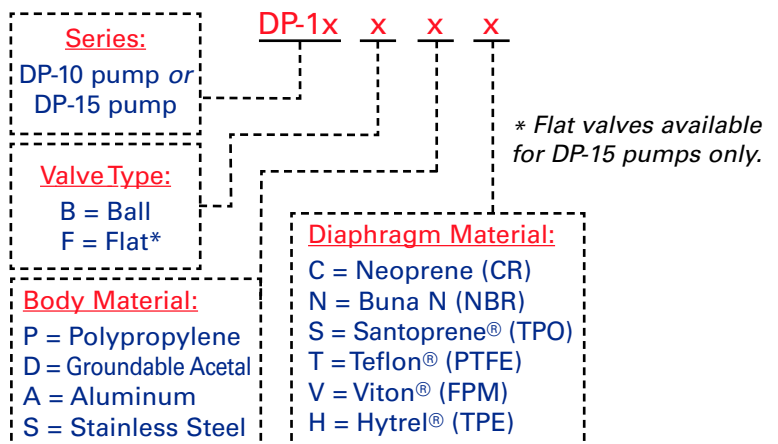
Polypropylene

Dimensions: 9.68" W x 11.69" H

Net Wt.: 9 lbs. (4 kg)

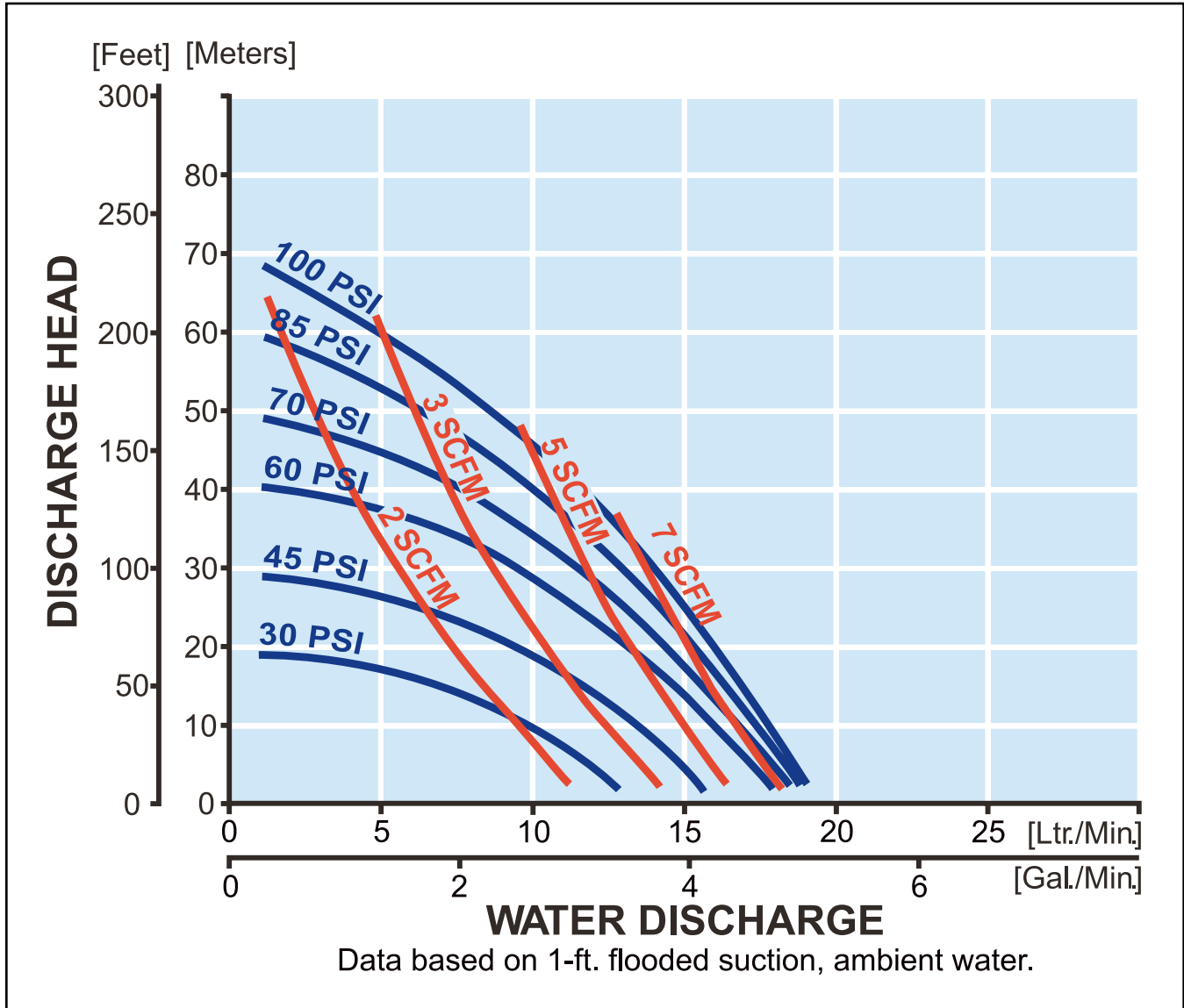
Shipping Wt.: 12 lbs.

Model Number Nomenclature



DP-10 Performance Curve

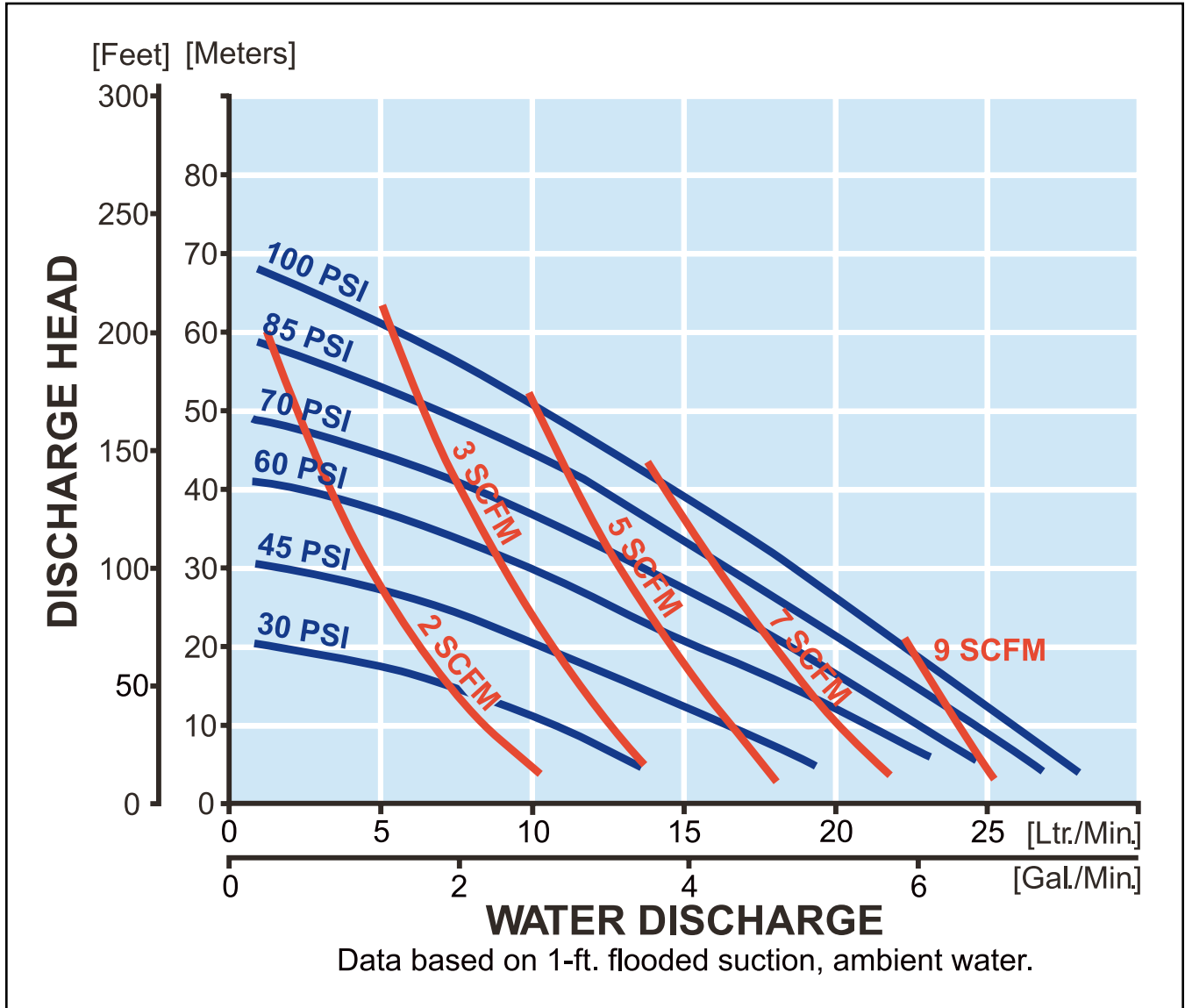
All Diaphragm Materials



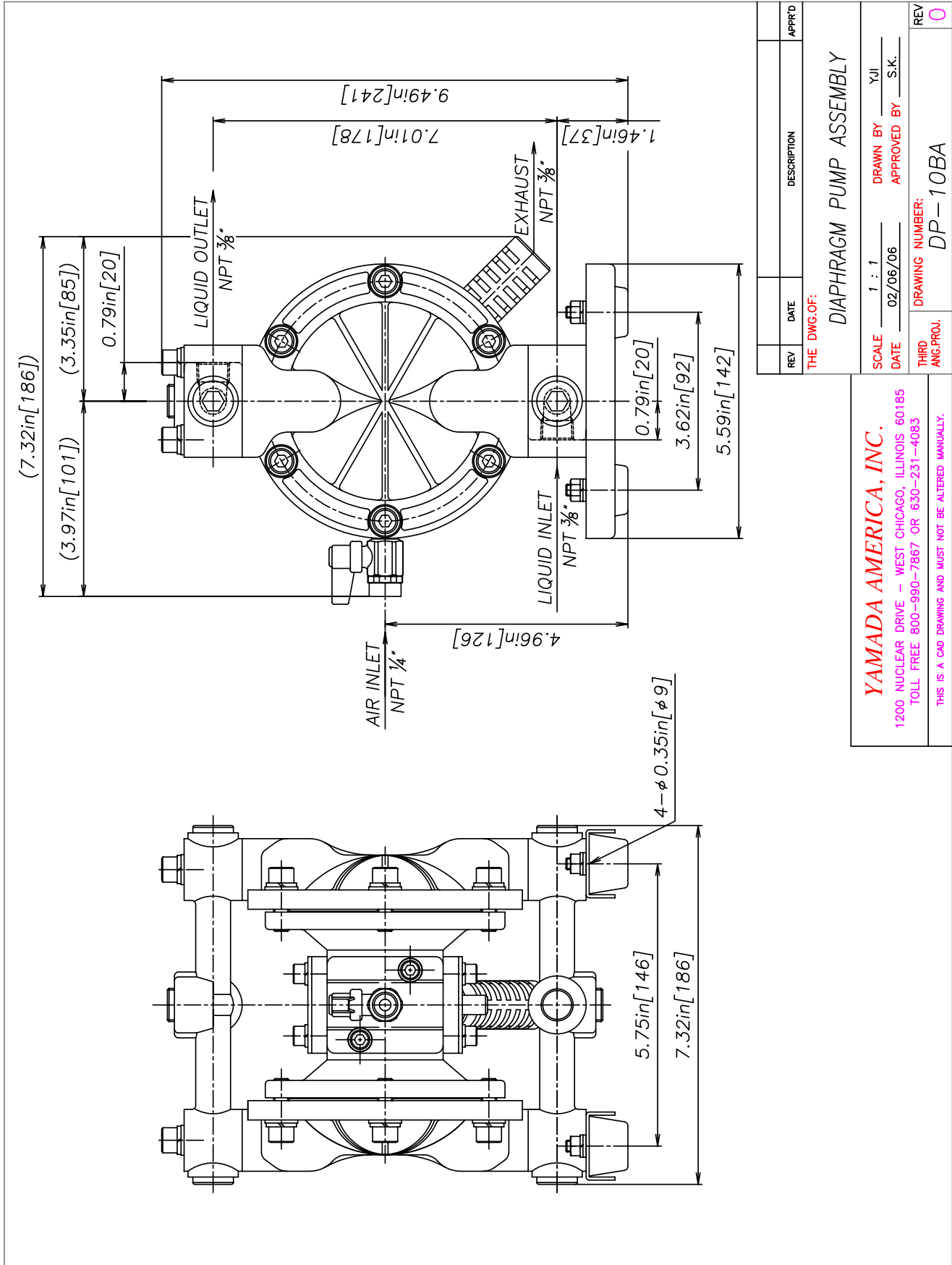
To calculate performance for Santoprene® and Hytrel®-fitted pumps, use Rubber Diaphragm Curve.

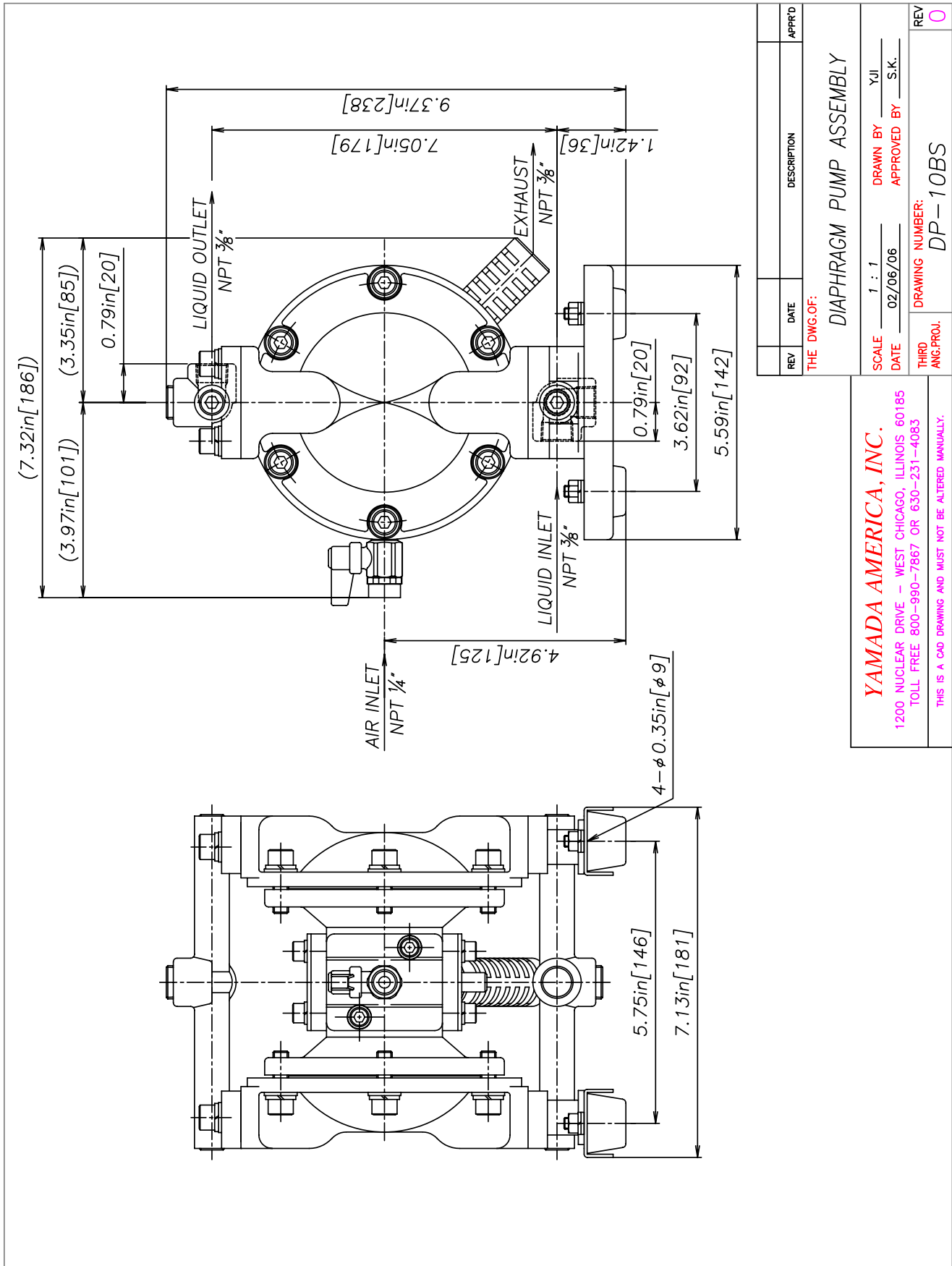
DP-15 Performance Curve

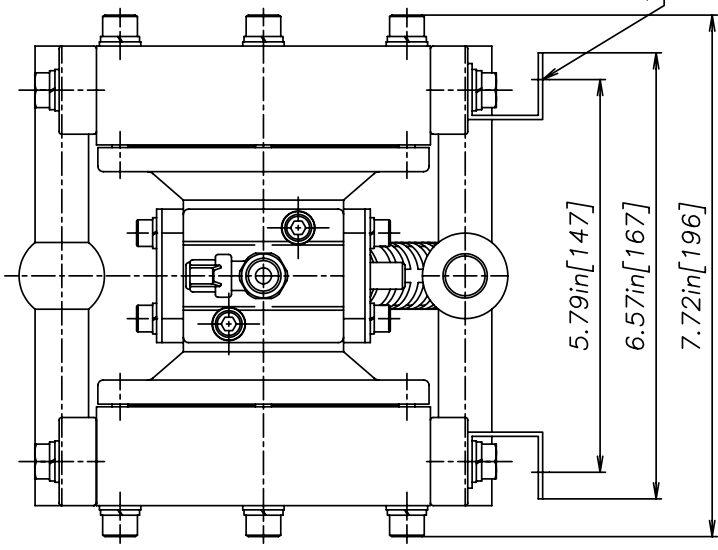
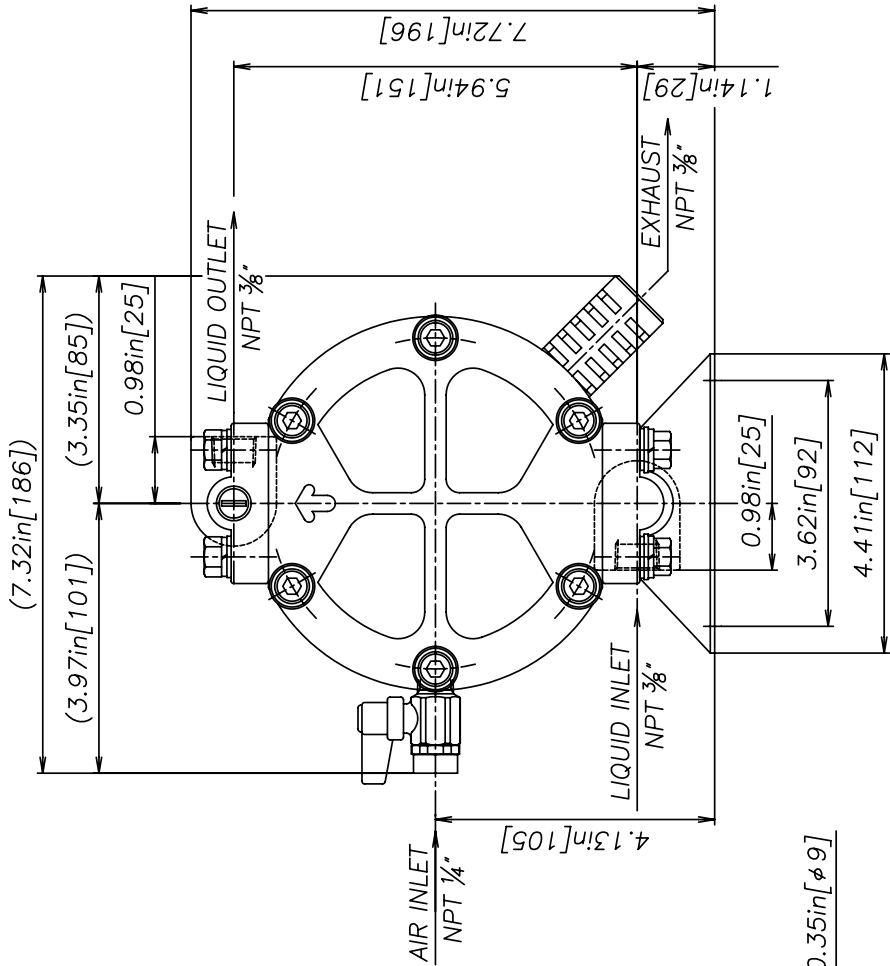
All Diaphragm Materials



To calculate performance for Santoprene® and Hytrel®-fitted pumps, use Rubber Diaphragm Curve.



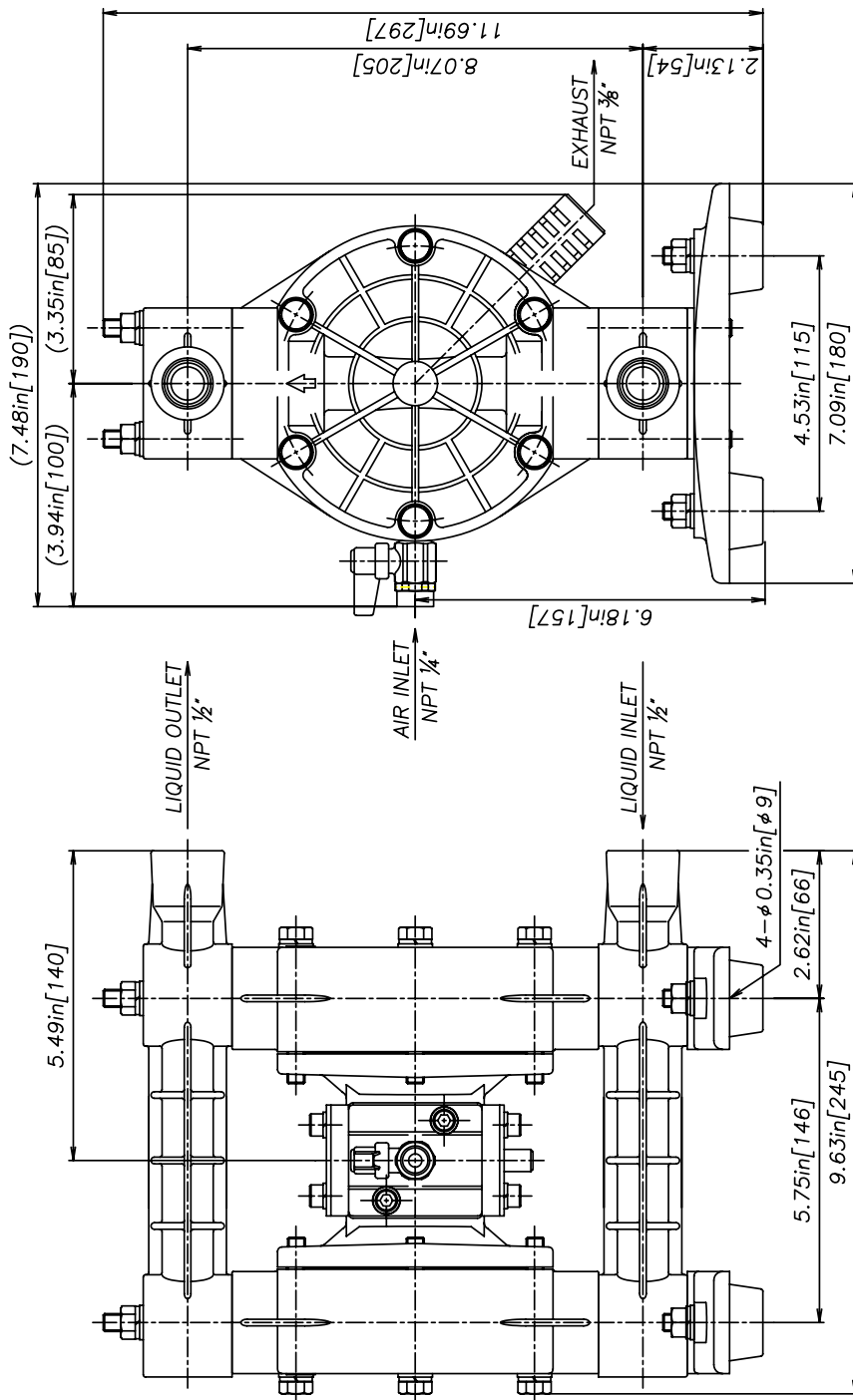




REV	DATE	DESCRIPTION	APPR'D
THE DWG.OF:			
DIAPHRAGM PUMP ASSEMBLY			
SCALE 1 : 1		DRAWN BY YJJ	
DATE 02/06/06		APPROVED BY S.K.	
THIRD ANG.PROJ.	DRAWING NUMBER: DP-10BP		REV 0

YAMADA AMERICA, INC.
 1200 NUCLEAR DRIVE - WEST CHICAGO, ILLINOIS 60185
 TOLL FREE 800-990-7867 OR 630-231-4083
 THIS IS A CAD DRAWING AND MUST NOT BE ALTERED MANUALLY.





REV	DATE	DESCRIPTION	APPR'D
THE DWG. OF:			
DIAPHRAGM PUMP ASSEMBLY			

SCALE	1 : 1	DRAWN BY	YJL
DATE	02/10/06	APPROVED BY	S.K.
THIRD ANG. PROJ.	DRAWING NUMBER: DP-15F/B PLASTIC		
REV	0		

YAMADA AMERICA, INC.
 1200 NUCLEAR DRIVE - WEST CHICAGO, ILLINOIS 60185
 TOLL FREE 800-990-7867 OR 630-231-4083
 THIS IS A CAD DRAWING AND MUST NOT BE ALTERED MANUALLY.



AutoCAD® is a registered trademark of Autodesk, Inc.

Hytrel® is a registered trademark of E.I. du Pont de Nemours and Company.

Kynar® is a registered trademark of Arkema.

Nordel™ is a trademark of DuPont Dow Elastomers.

Ryton® is a registered trademark of Chevron Phillips Chemical Company.

Santoprene® is a registered trademark of Advanced Elastomer Systems.

Swagelok® & VCR® are trademarks of the Swagelok Companies.

Teflon® is a registered trademark of E.I. du Pont de Nemours and Company.

Viton® is a registered trademark of DuPont Performance Elastomers.

Due to Yamada's continued commitment to product improvement, specifications may change without notice.

